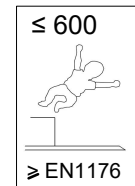
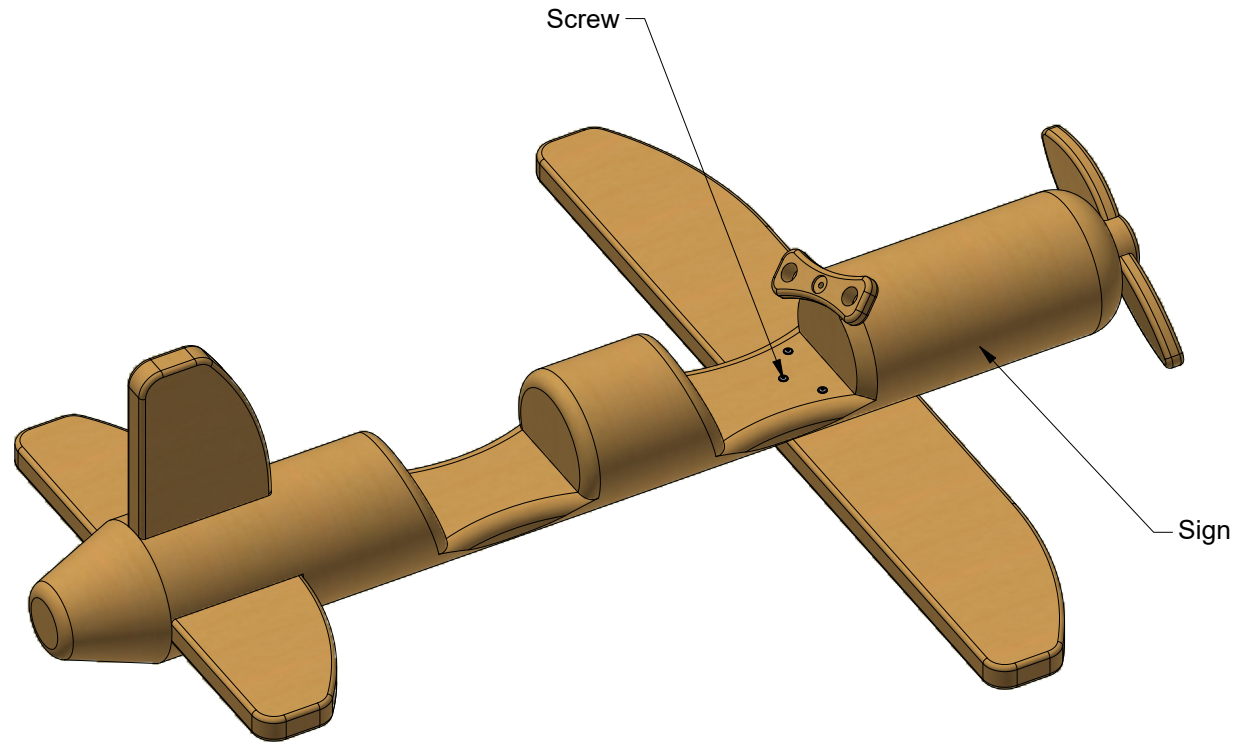


This drawing is the property of NORNA-PLAYGROUNDS and pursuant to current legislation may not be copied, transferred to or used by any third party. Should this drawing be used, a fee of 10% of the assumed contract price will be charged



<b>NORNA</b> PLAYGROUNDS					
DESCRIPTION <b>Flyver</b>					
PART NUMBER <b>LE43500</b>				MATERIAL	
CREATION DATE	AUTHOR	REVISION	REVISION DATE	REVISION BY	SHEET
19-01-2011	tj	A	21-12-2022	hs	1/2



This drawing is the property of NORNA-PLAYGROUNDS and pursuant to current legislation may not be copied, transferred to or used by any third party. Should this drawing be used, a fee of 10% of the assumed contract price will be charged

<b>NORNA</b> PLAYGROUNDS					
DESCRIPTION Flyver					
PART NUMBER LE43500				MATERIAL	
CREATION DATE 19-01-2011	AUTHOR tj	REVISION A	REVISION DATE 21-12-2022	REVISION BY hs	SHEET 2/2