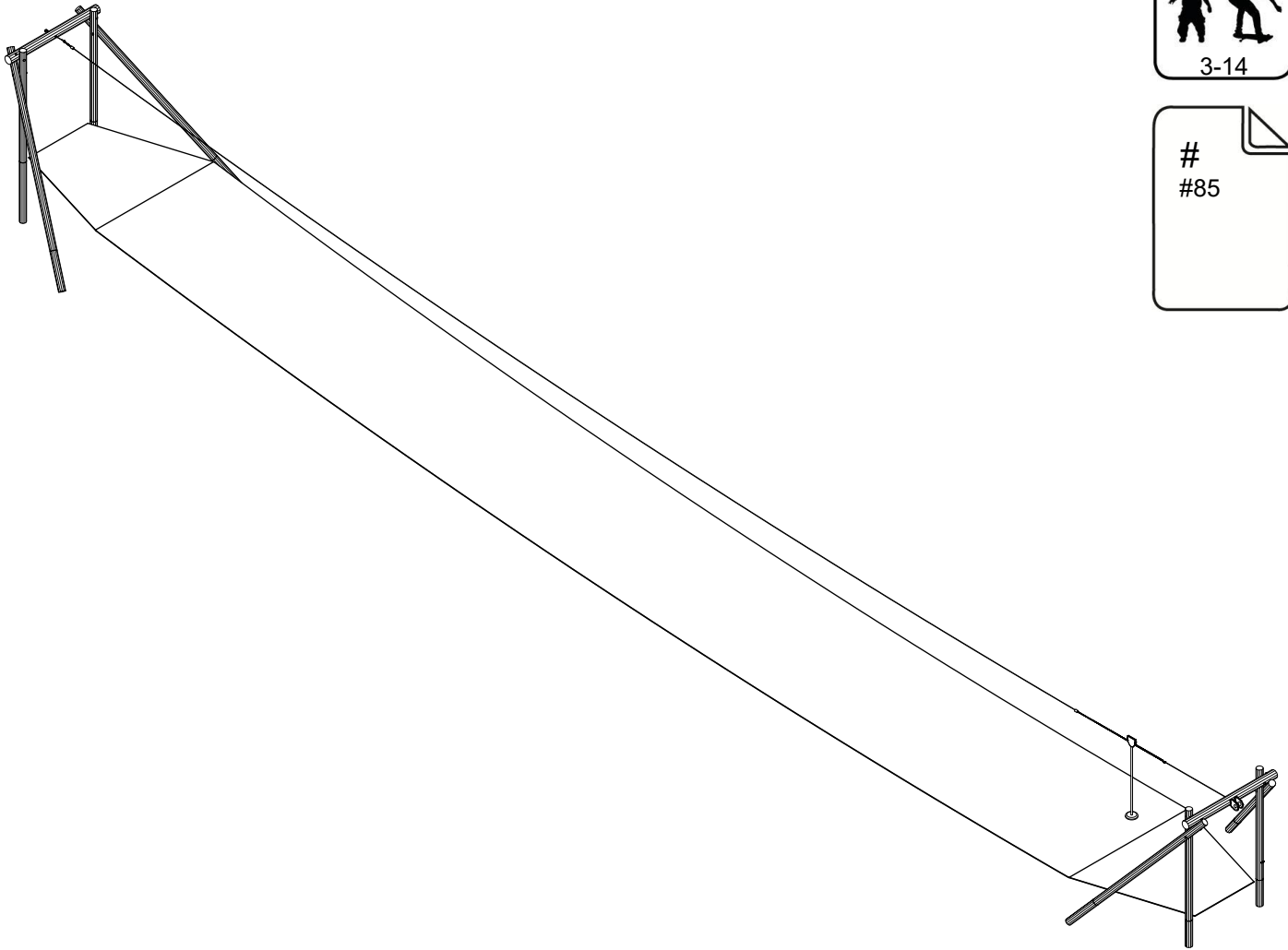
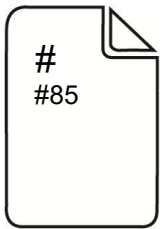
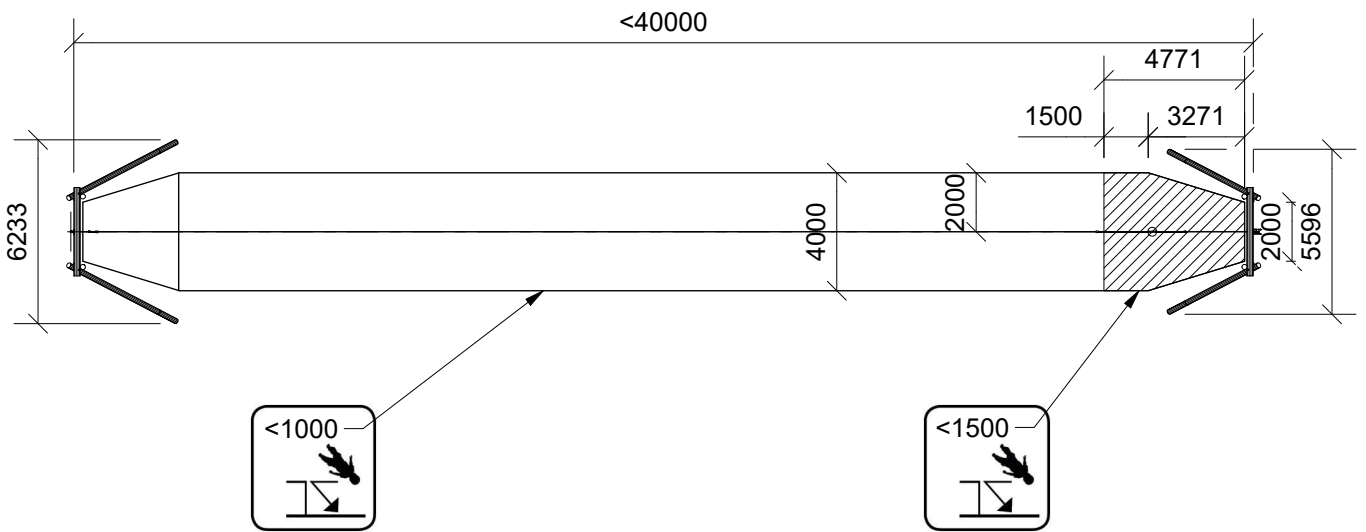
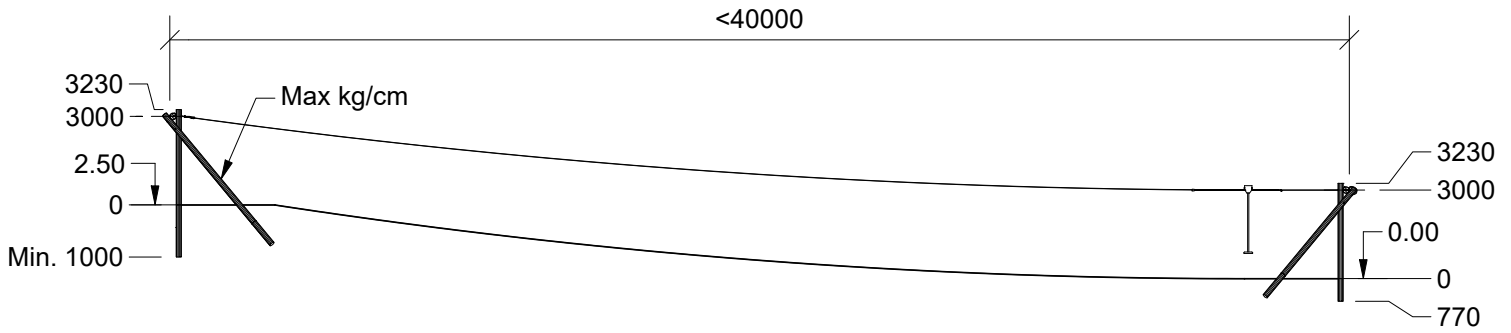


LE20295U
LE20295

1/7



LE20295U
LE20295



2



33h



16 m²



40 x 6,2 x 3,3 m



~1115 kg



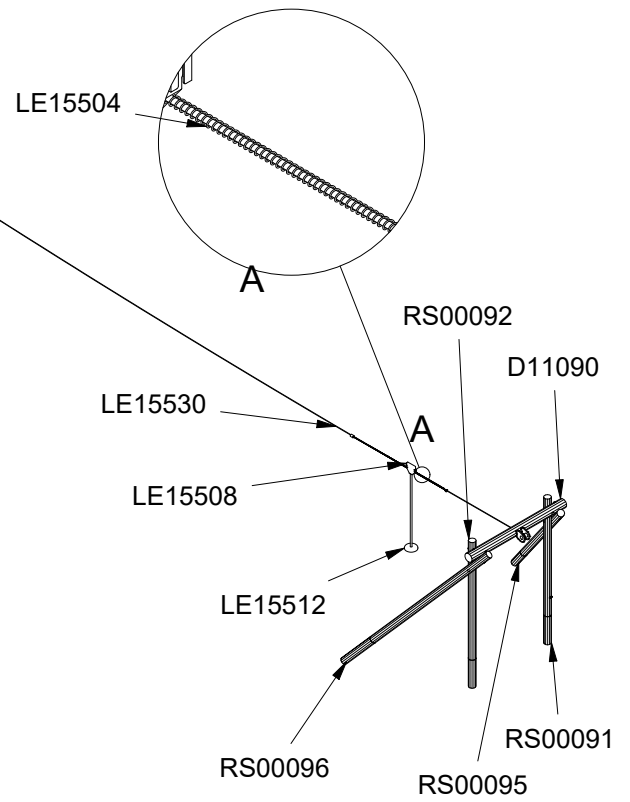
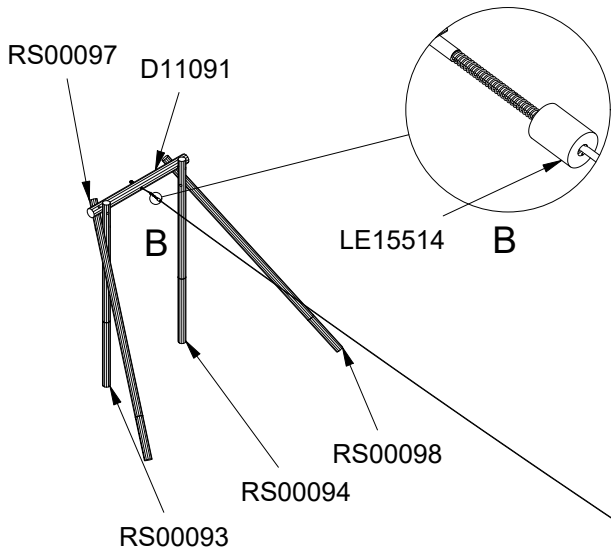
~4,2 m³



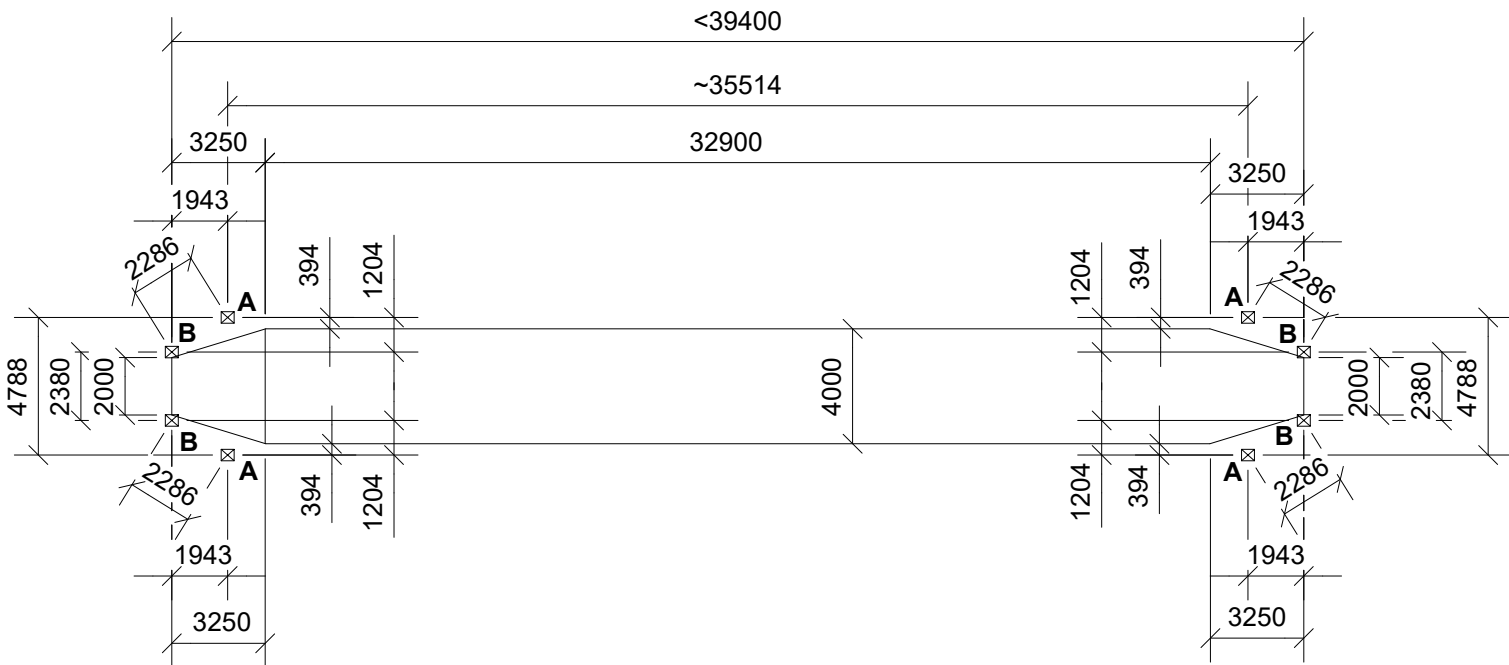
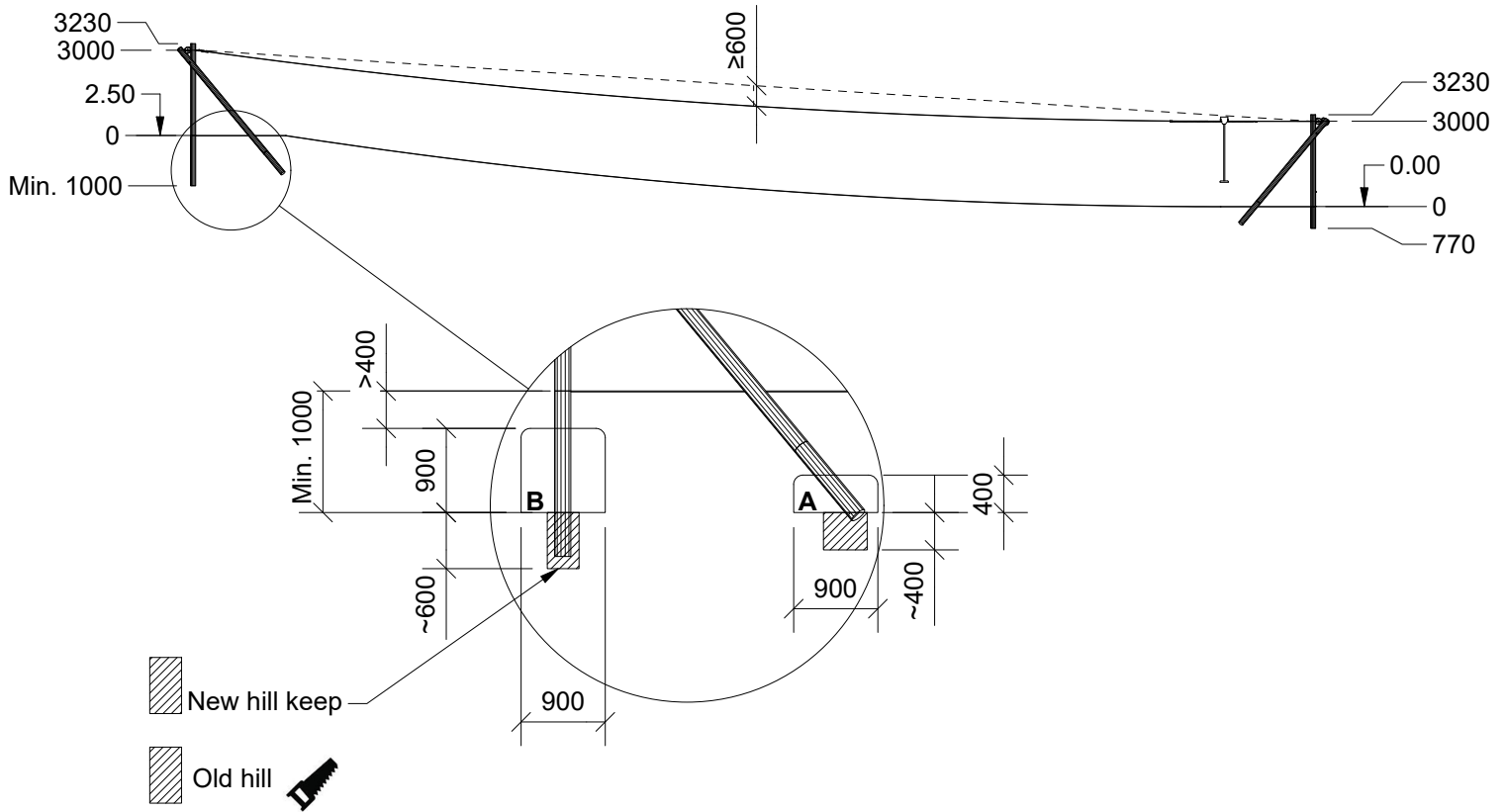
Ø160-180x600 cm



127 kg



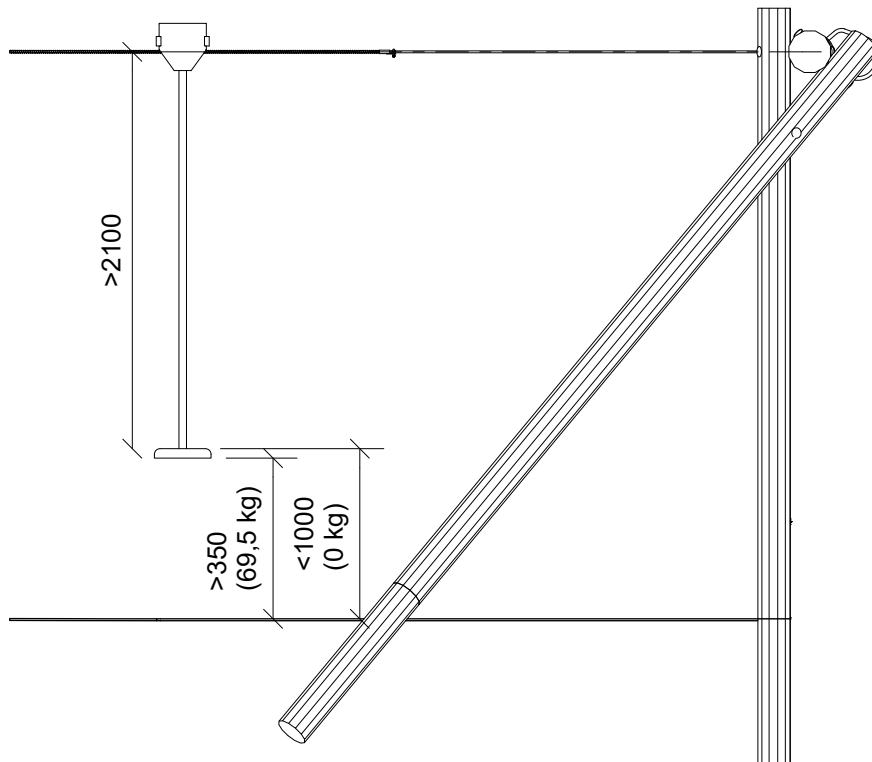
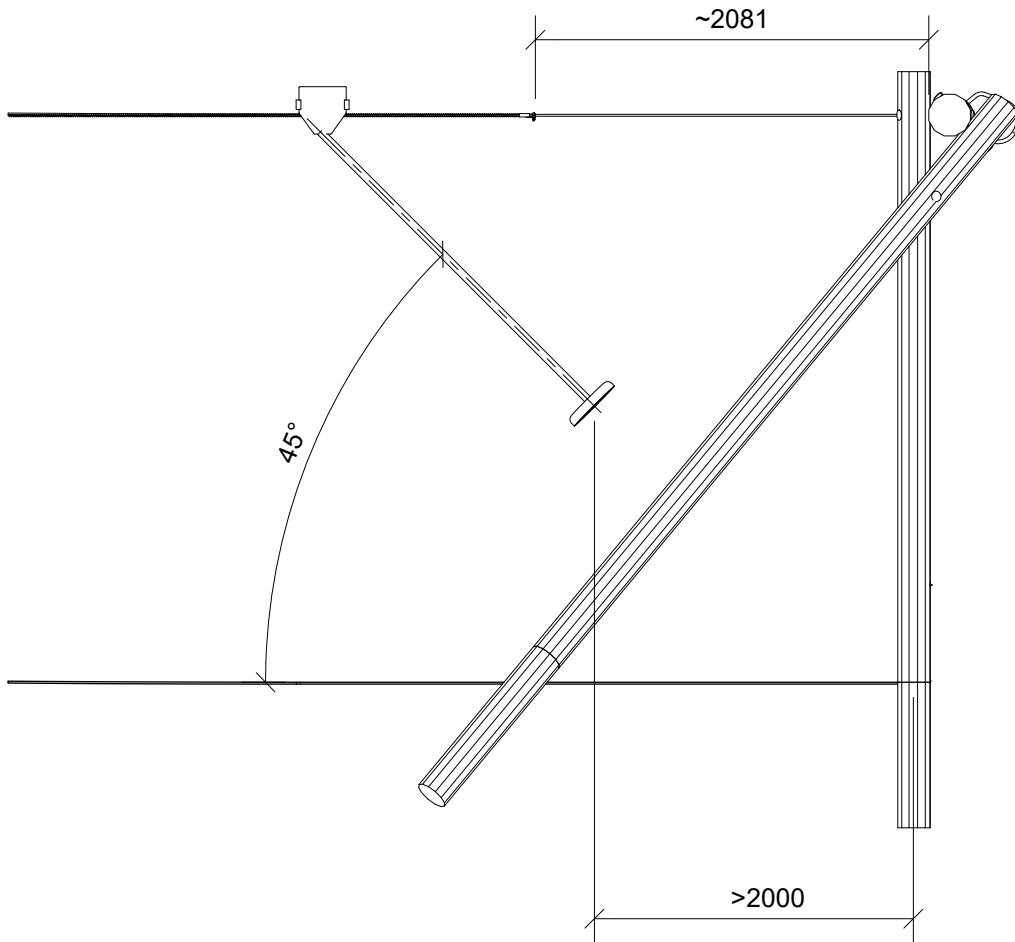
Parts List		
QTY	PART NO	DESCRIP.
1	LE15504	Spring 300cm
1	LE15508	Trolley
1	LE15512	Seat
1	LE15514	Spring 30cm
1	LE15530	Wire, 41m
1	D11091	Ø210-240, assembled
1	RS00093	Ø160-180
1	RS00094	Ø160-180
1	RS00097	Ø160-180
1	RS00098	Ø160-180
1	D11090	Ø210-240, assembled
1	RS00091	Ø160-180
1	RS00092	Ø160-180
1	RS00095	Ø160-180
1	RS00096	Ø160-180

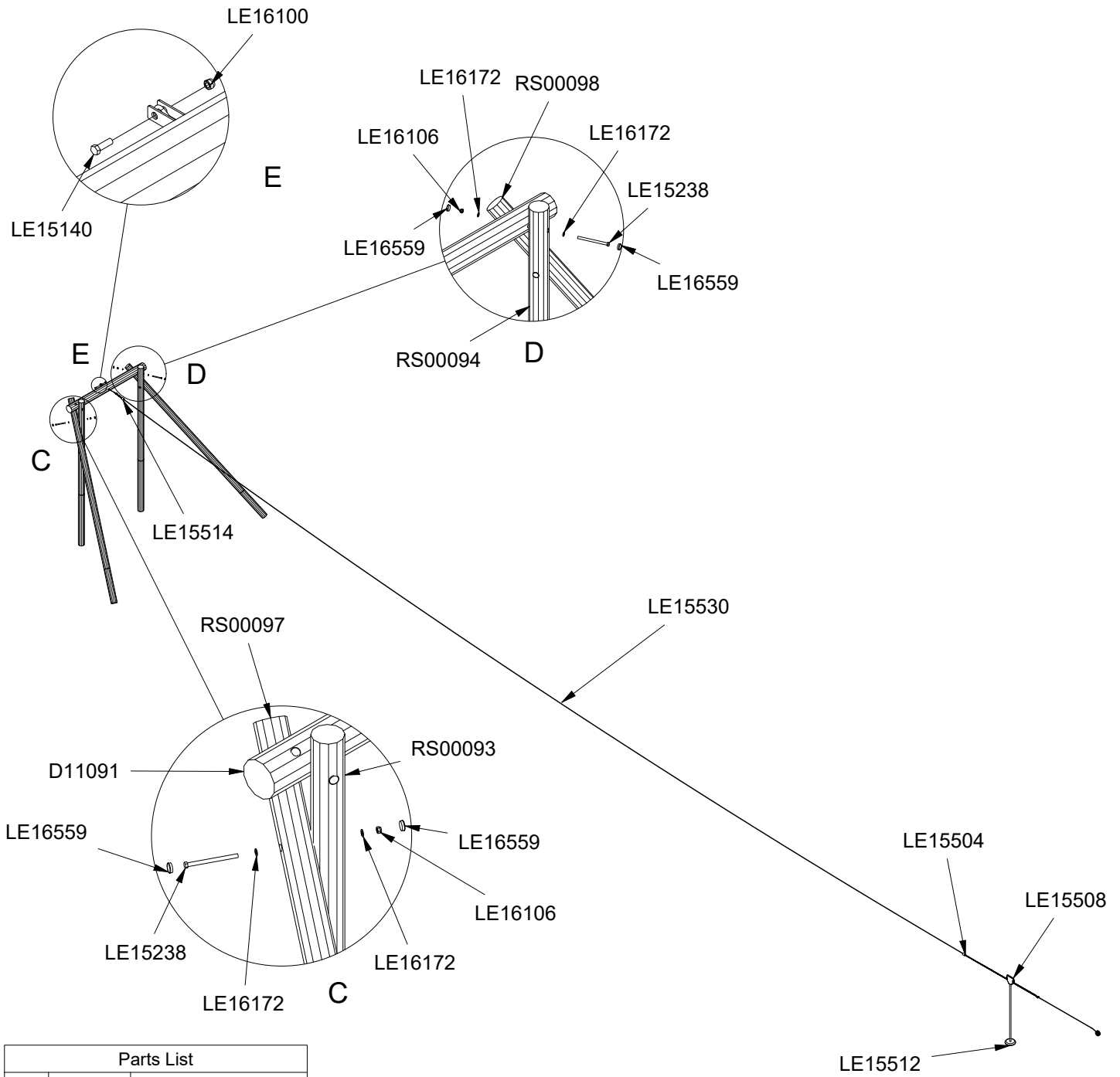


Normal foundation conditions are required:

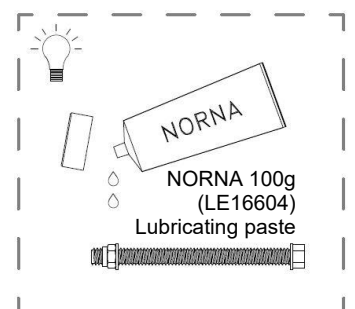
Minimum concrete foundation dimensions:

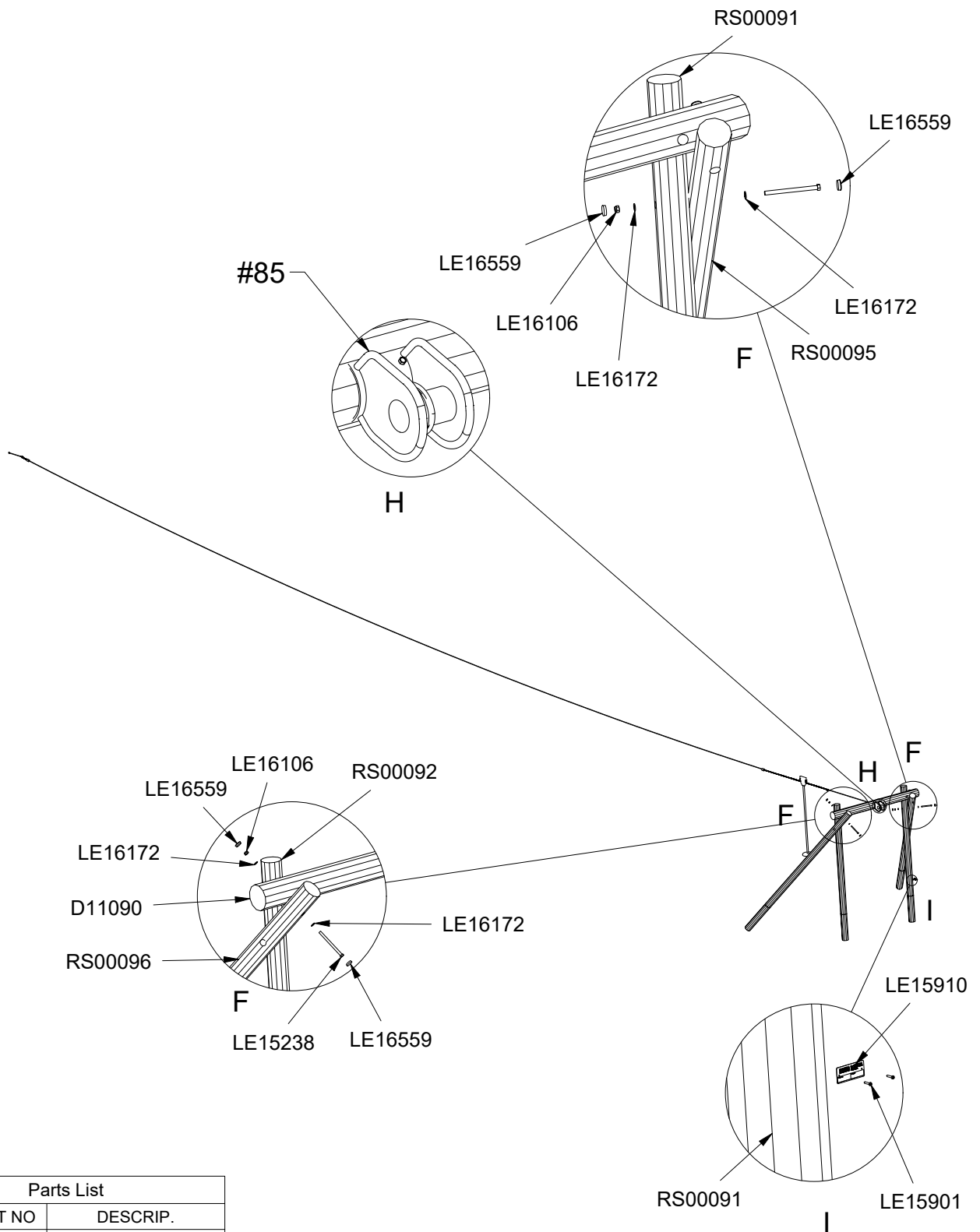
- A: 0.4x0.9x0.9 m.
- B: 0.9x0.9x0.9 m.





Parts List		
QTY	PART NO	DESCRIP.
1	LE15140	M16x50
1	LE15504	Spring 300cm
1	LE15508	Trolley
1	LE15512	Seat
1	LE15514	Spring 30cm
1	LE15530	Wire, 41m
1	LE16100	M16 nut
1	D11091	Ø210-240, assembled
6	LE15238	M20x270mm
6	LE16106	M20, nut
12	LE16172	M20 - Ø37 mm
12	LE16559	Ø55/51
1	RS00093	Ø160-180
1	RS00094	Ø160-180
1	RS00097	Ø160-180
1	RS00098	Ø160-180





Parts List		
QTY	PART NO	DESCRIP.
2	LE15901	3x16, PH
1	LE15910	Name tag
1	D11090	Ø210-240, assembled
6	LE15238	M20x270mm
6	LE16106	M20, nut
12	LE16172	M20 - Ø37 mm
12	LE16559	Ø55/51
1	RS00091	Ø160-180
1	RS00092	Ø160-180
1	RS00095	Ø160-180
1	RS00096	Ø160-180