

8t



2



18m²



7,1x2,5x2,4m



~231 kg



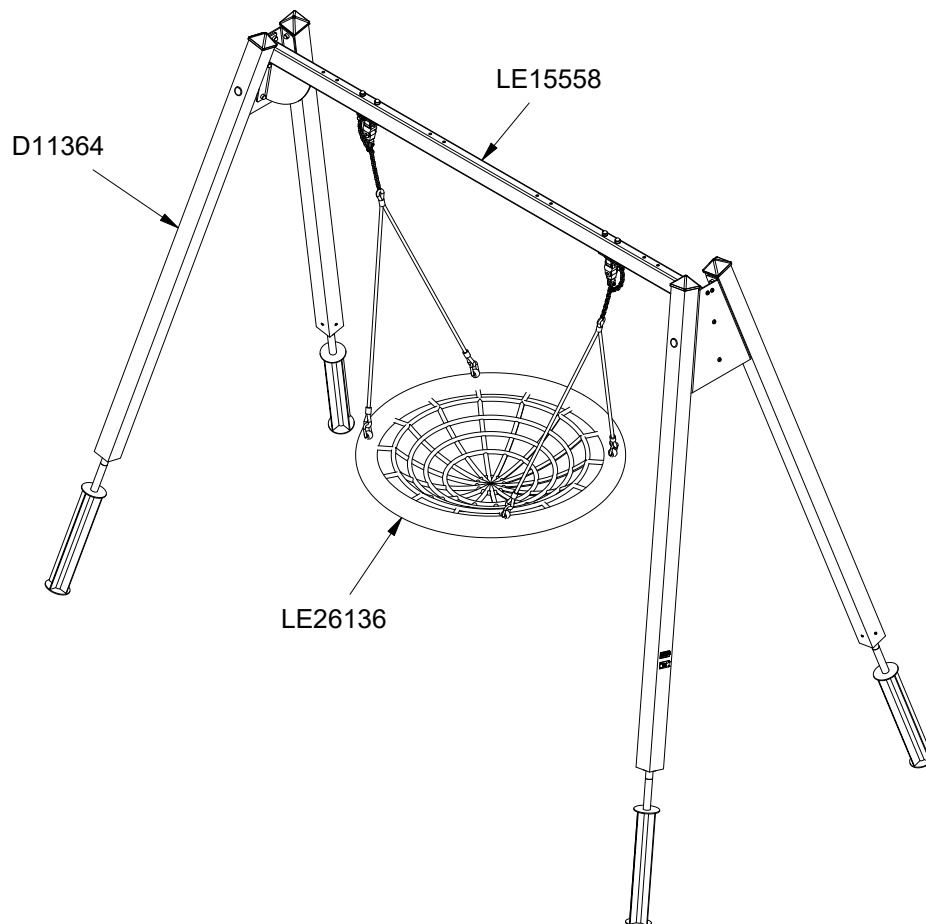
>0,15m²



90x90x3100mm

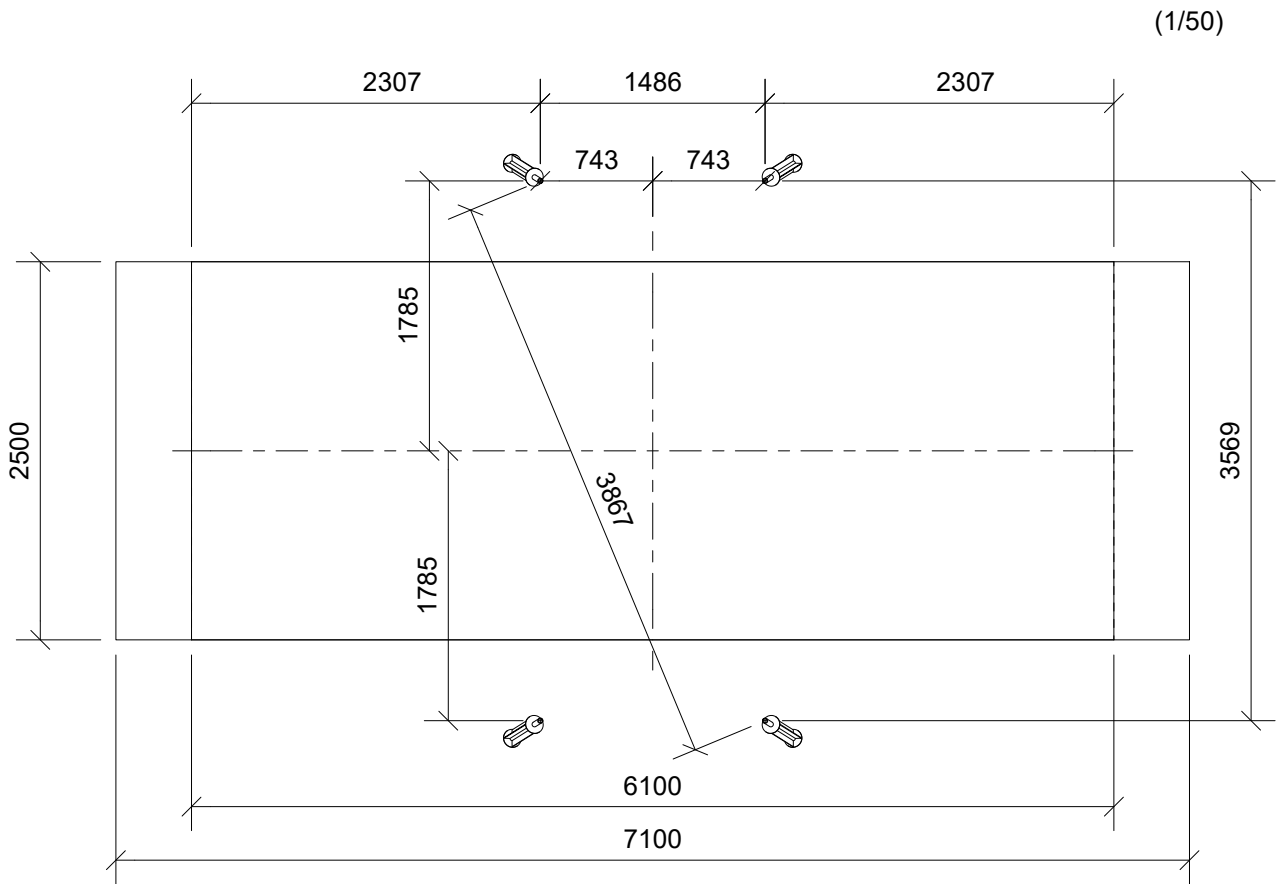
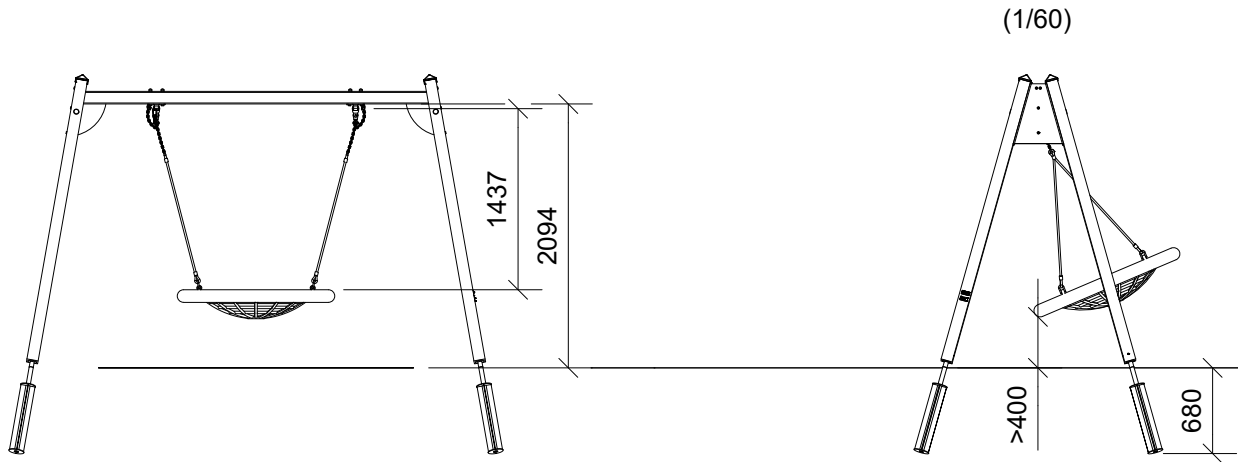


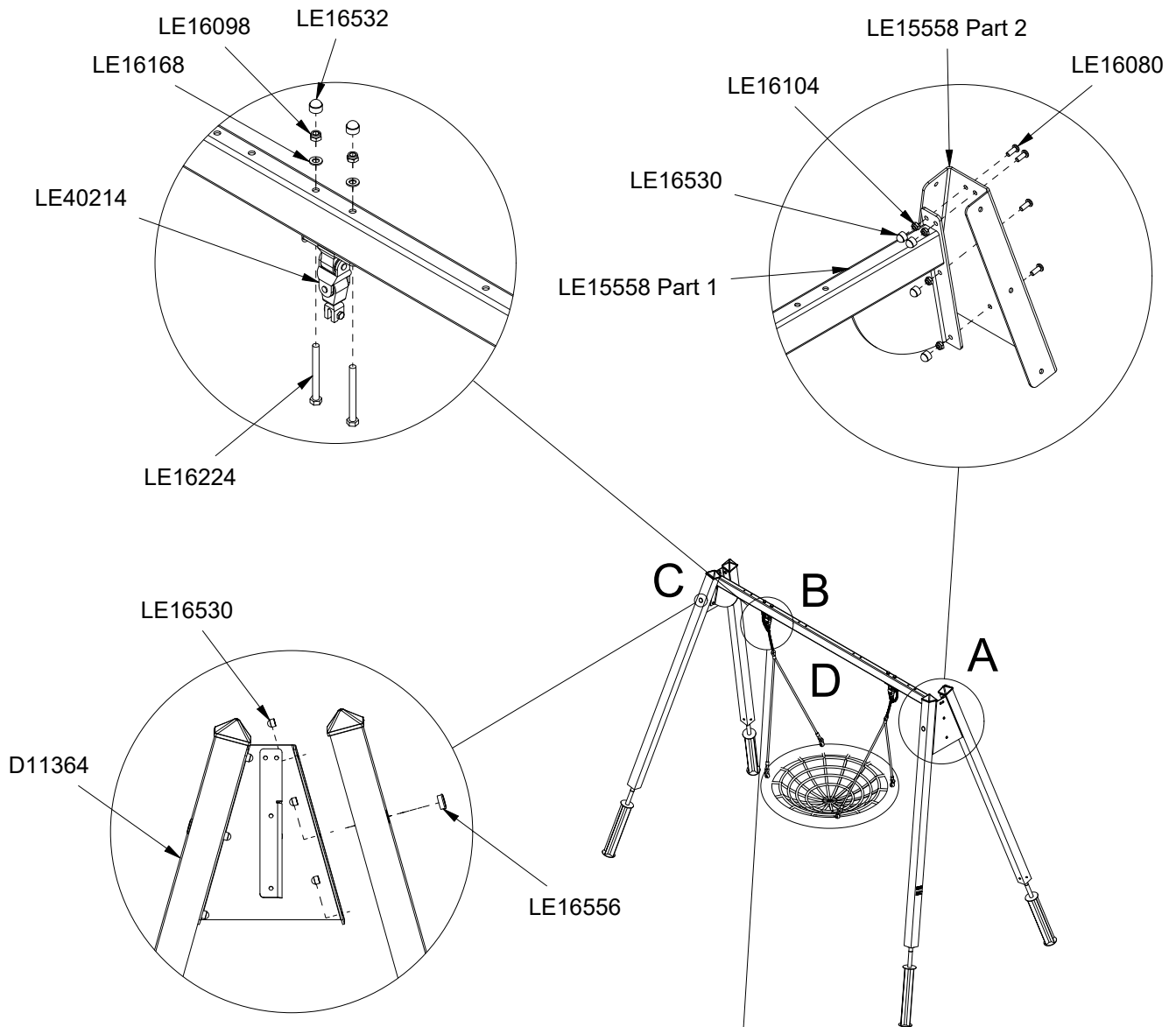
50kg



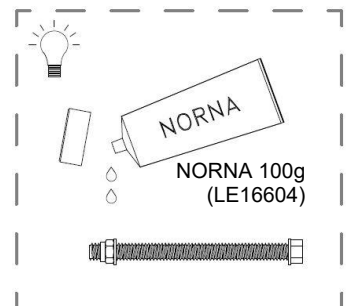
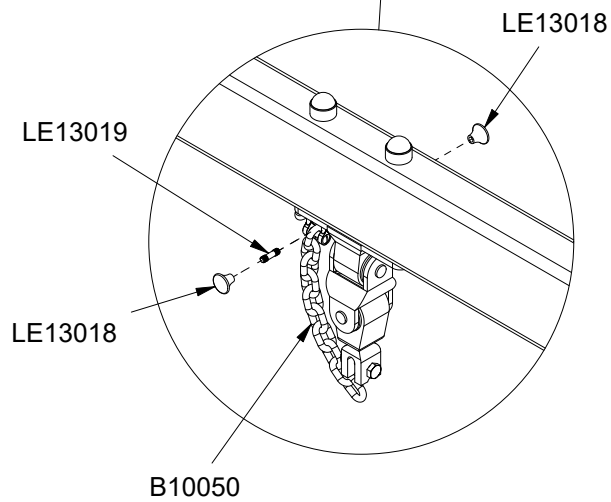
Parts List

QTY	PART NO	DESCRIP.
4	D11364	90x90mm incl. cast. brackets
1	LE15558	Steel beam incl. endplates
1	LE26136	Swing seat basket Ø1250mm

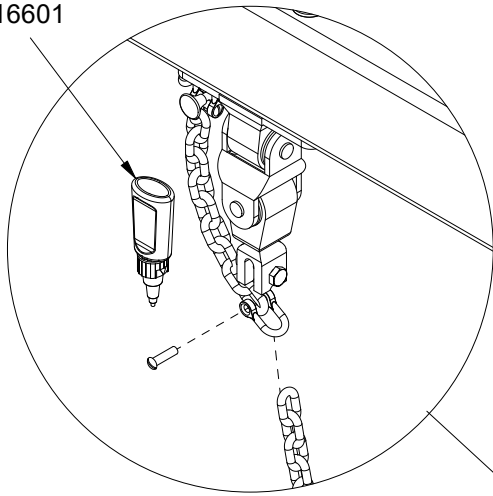




Parts List		
QTY	PART NO	DESCRIP.
4	LE13018	Button
2	LE13019	Pin
1	LE15558 Part 1	Steel beam
2	LE15558 Part 2	Endplate
8	LE16080	10x25mm bottomhead
4	LE16098	M12x1,25mm nut
12	LE16104	M10x1,25mm nut
4	LE16153	M10 - Ø29mm
4	LE16168	M12 - Ø24 mm
4	LE16215	M10x90mm bolt
4	LE16224	M12x120mm bolt
8	LE16250	M10x60mm hex screw
20	LE16530	M10 nut cap
4	LE16532	M12 nut cap
4	LE16556	Ø42/38mm
2	LE40214	Swing Joint

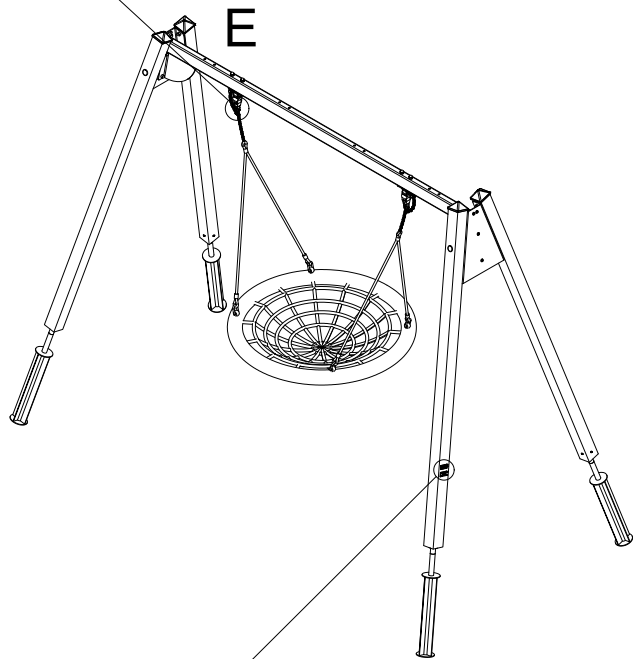
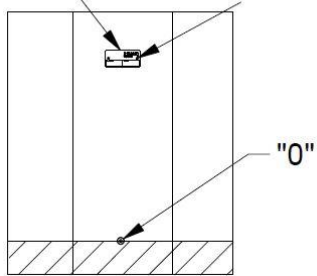


LE16601

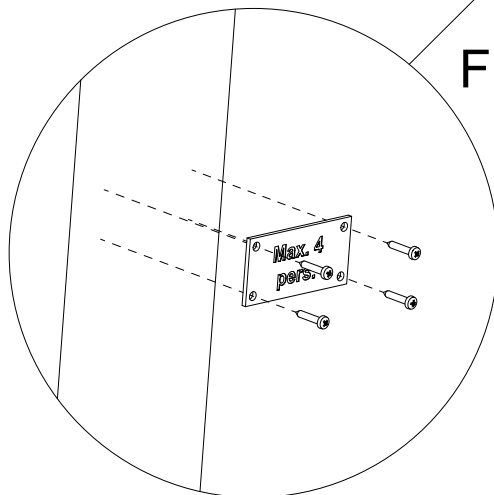


LE15910

LE15901



F



Parts List

QTY	PART NO	DESCRIP.
4	LE13100	Shackle
6	LE15901	3x16, PH
1	LE15904	Max 4 pers. tag
1	LE15910	Name tag
1	LE16601	Locktite 5ml (Glue)