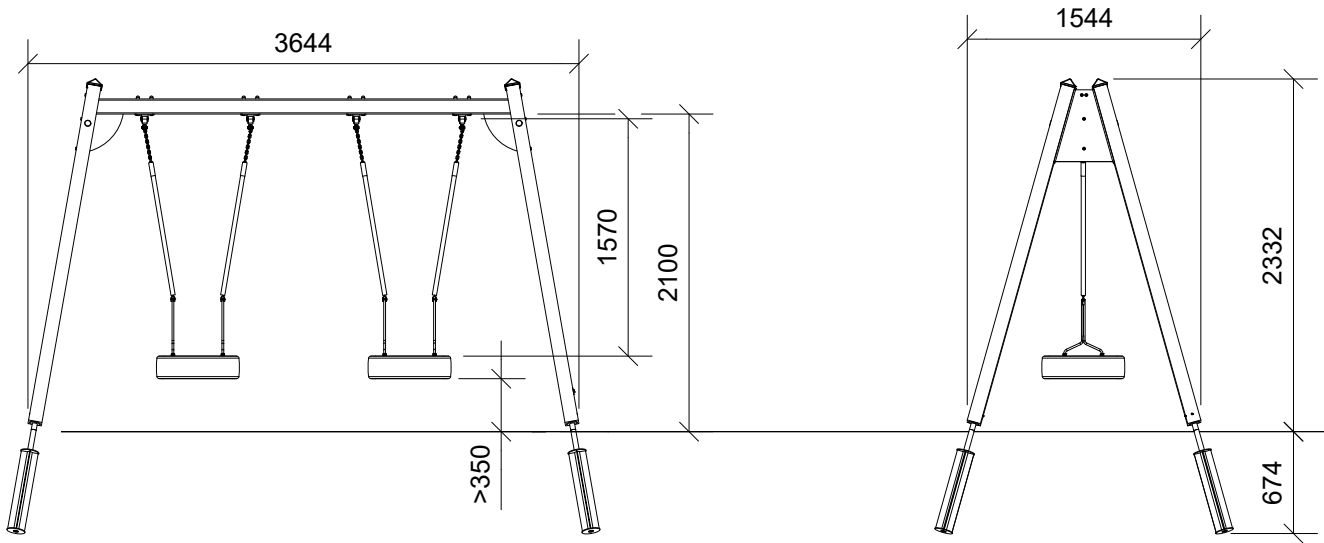
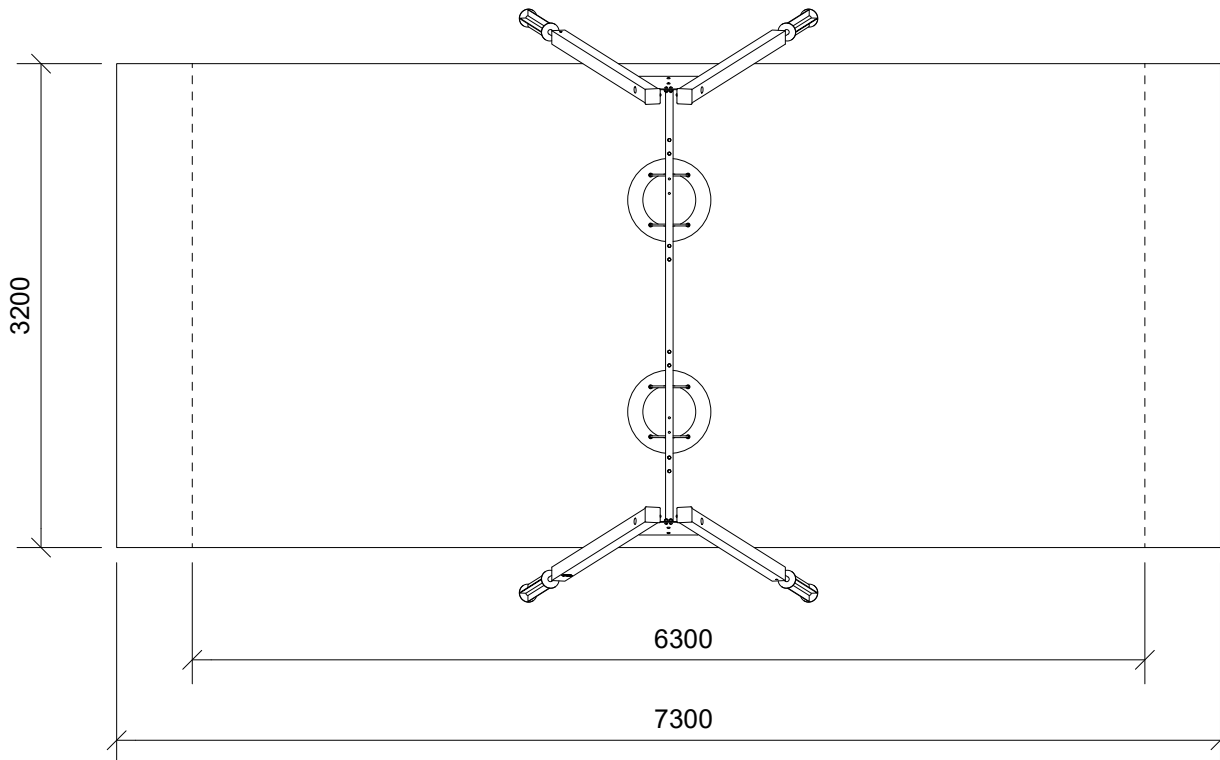


( 1 : 50 )



( 1 : 50 )



8t



2



23,4m<sup>2</sup>



7,3x3,2x2,4m



~204 kg



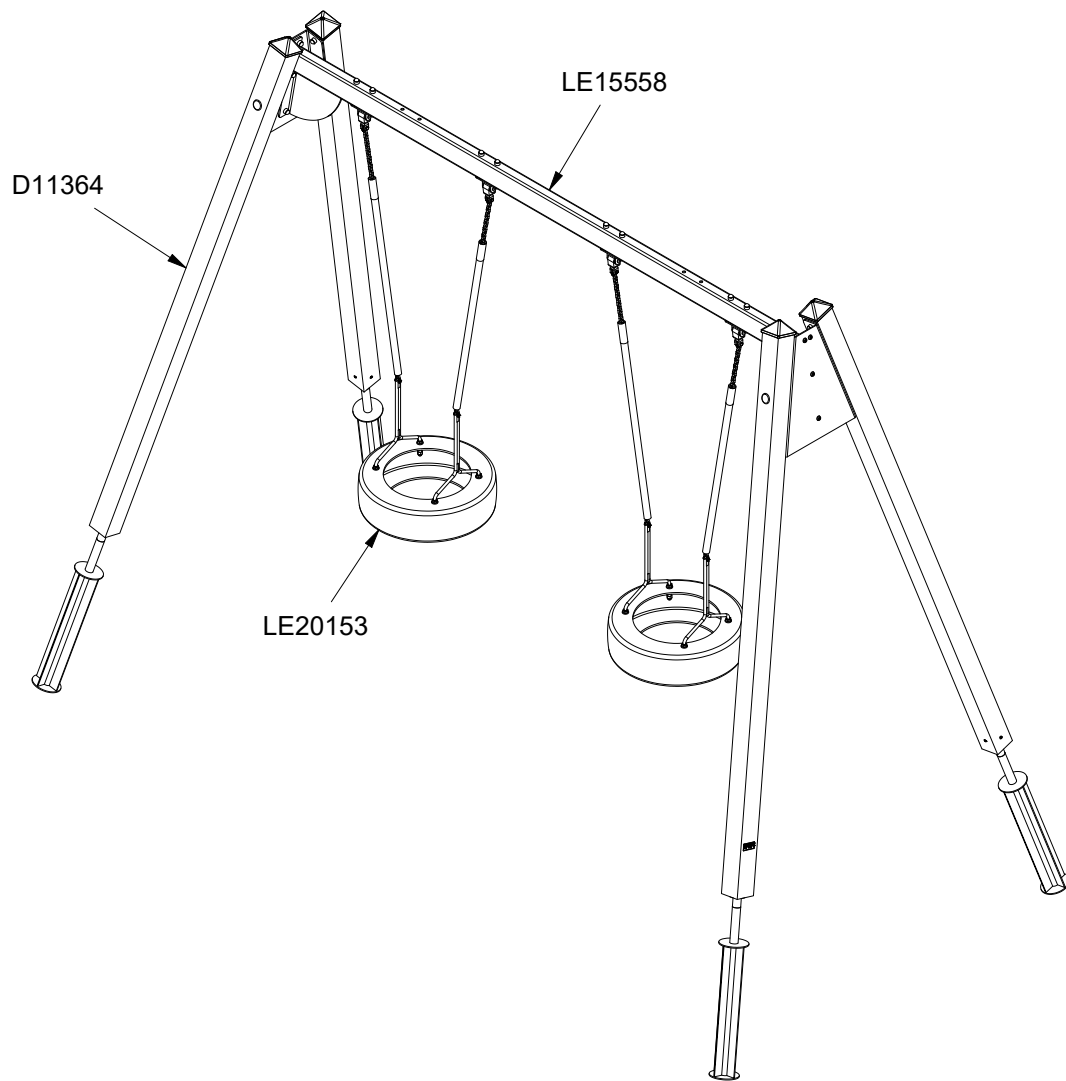
~0,15m<sup>3</sup>



9x9x310cm

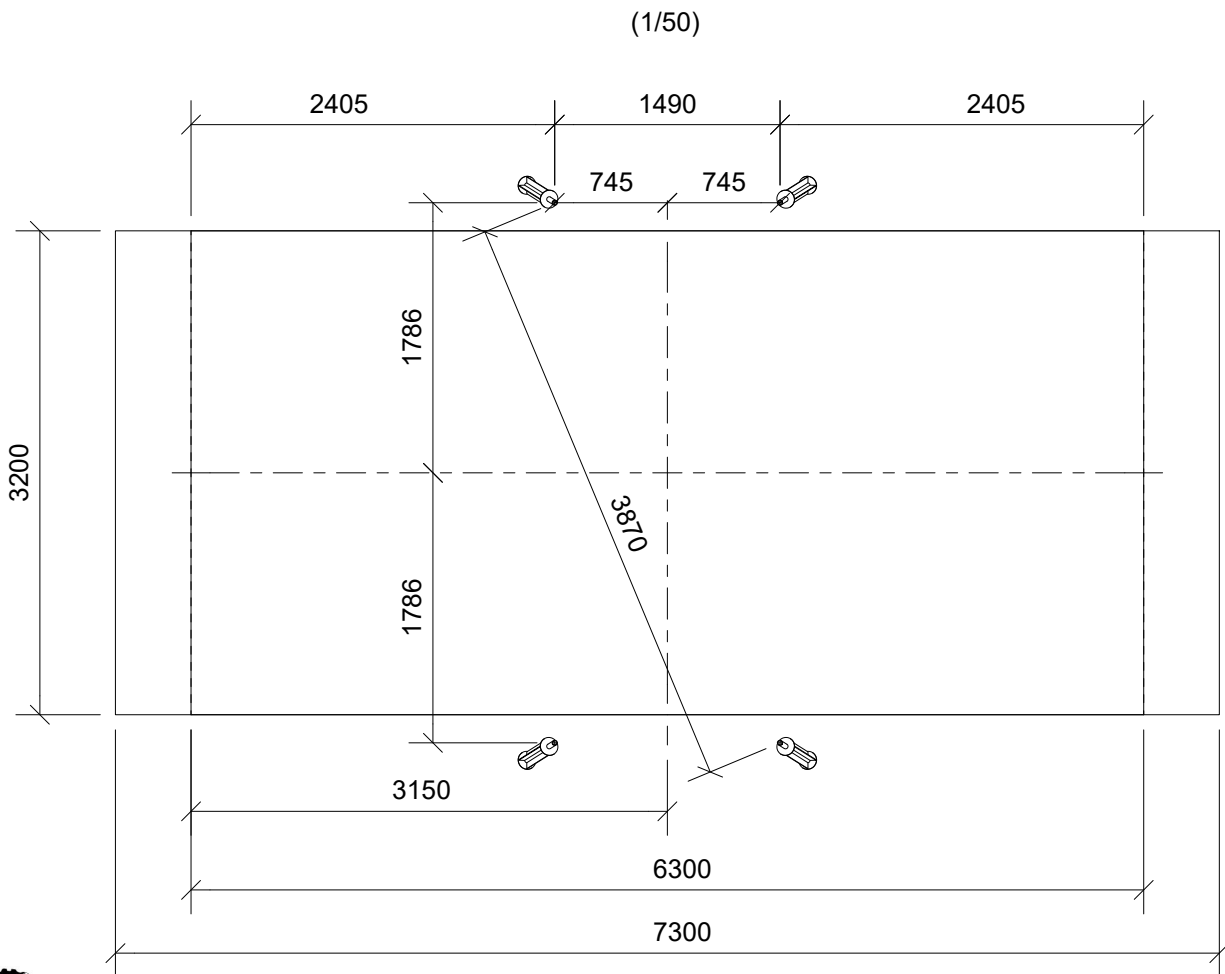
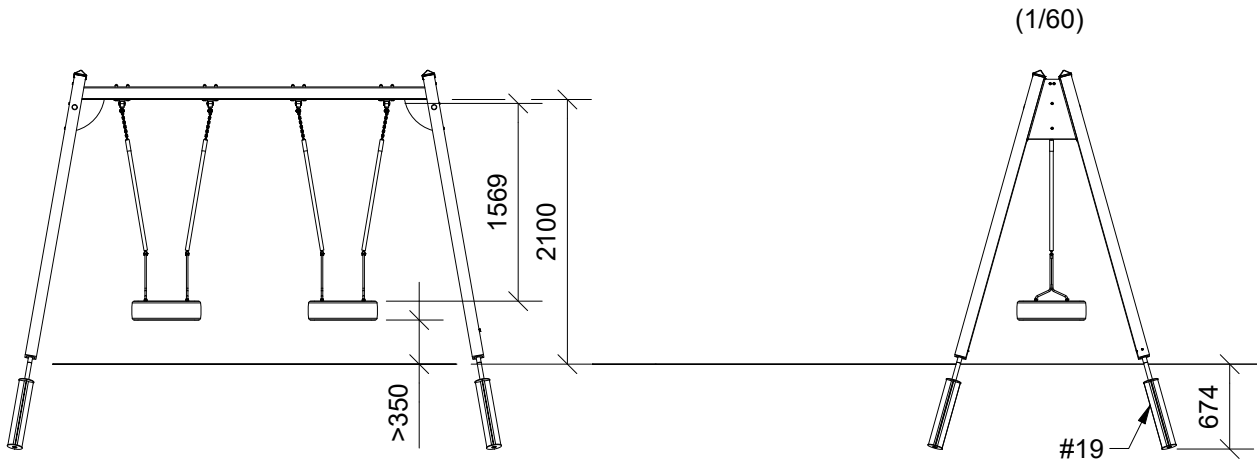


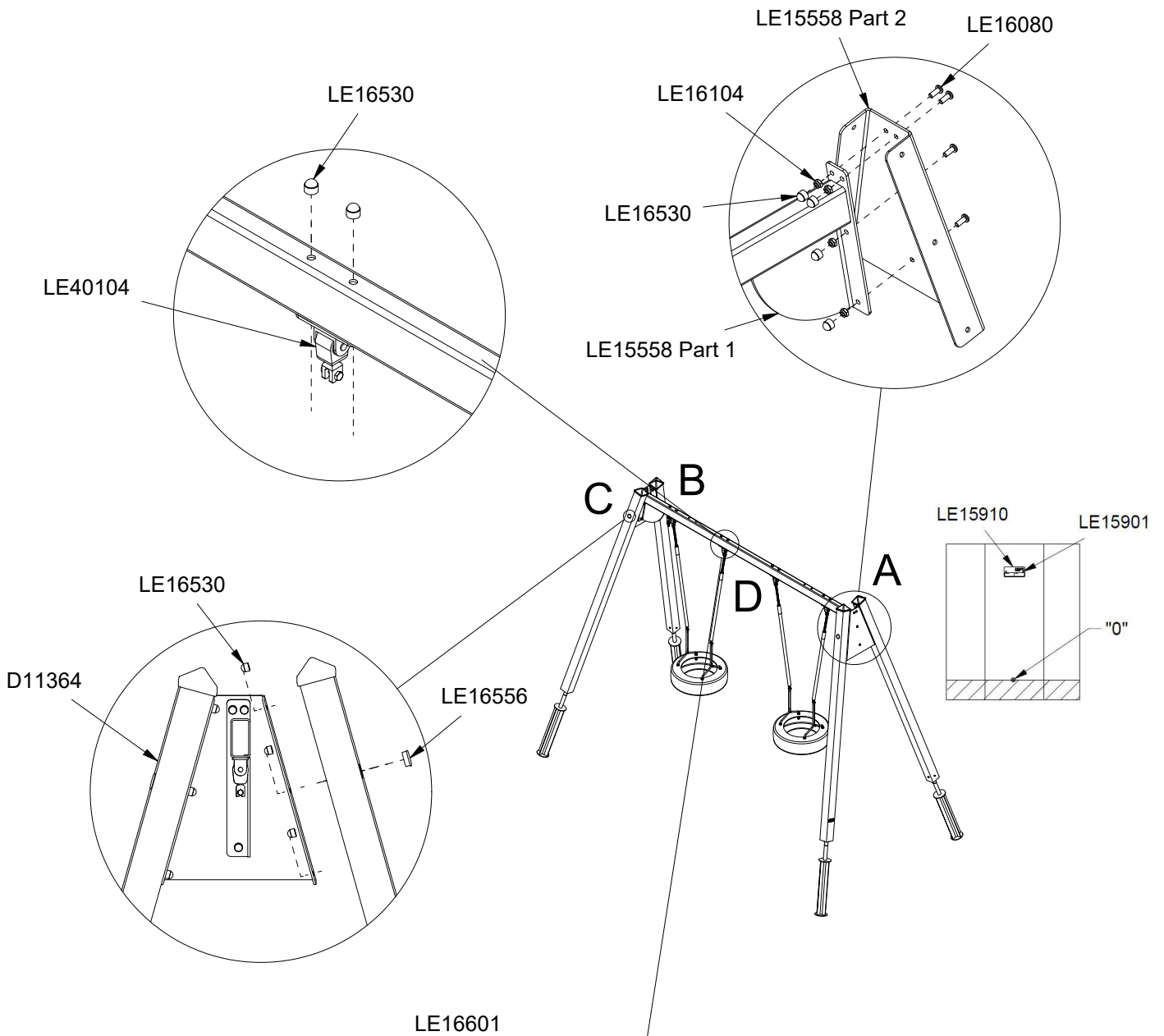
32kg



## Parts List

QTY	PART NO	DESCRIP.
4	D11364	90x90mm incl. cast. brackets
1	LE15558	Steel beam incl. endplates
2	LE20153	Swing seat tire Ø550





Parts List		
QTY	PART NO	DESCRIP.
1	LE15558 Part 1	Steel beam
2	LE15558 Part 2	Endplate
2	LE15901	3x16, PH
1	LE15910	Name tag
8	LE16080	10x25mm bottomhead
20	LE16104	M10x1,25mm nut
4	LE16153	M10 - Ø29mm
4	LE16215	M10x90mm bolt
8	LE16216	M10x120mm
8	LE16250	M10x60mm hex screw
28	LE16530	M10 nut cap
4	LE16556	Ø42/38mm
1	LE16601	Loctite 5ml (Glue)
4	LE40104	Swing joint

