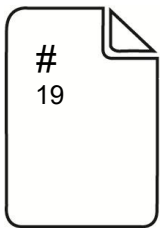
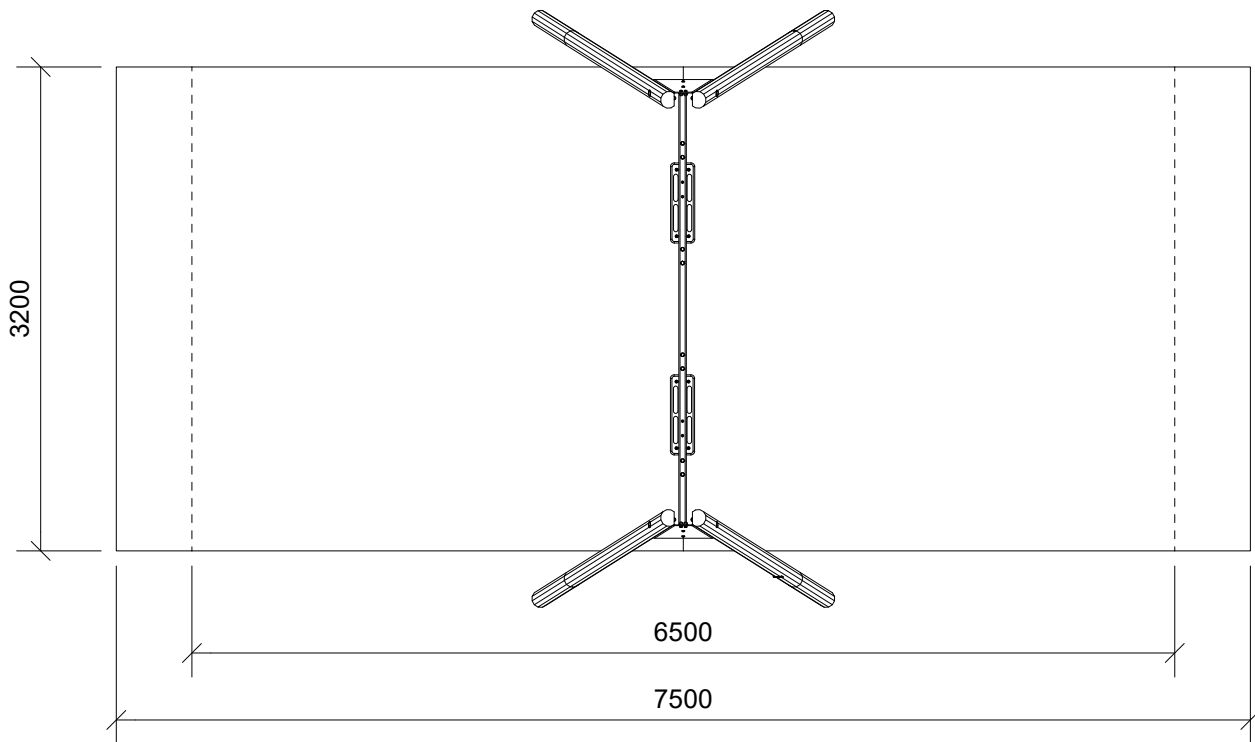
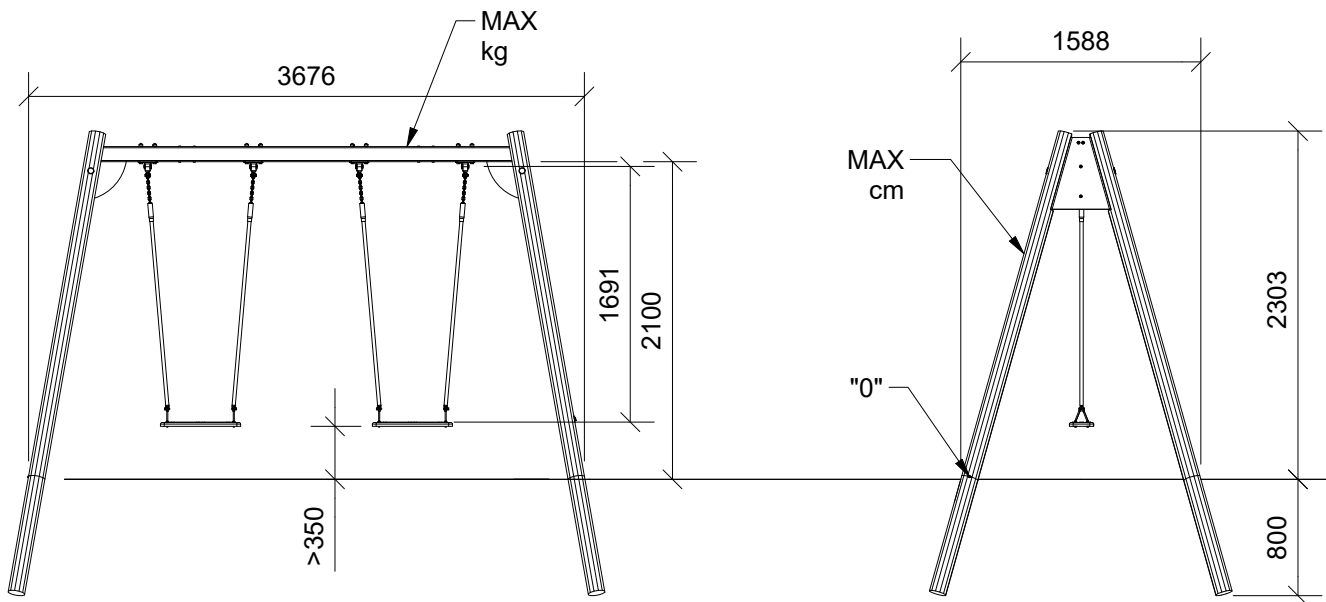


LE20222U
LE20222

1/6





2



6t



24m²



7,5x3,2x2,3m



~N/A



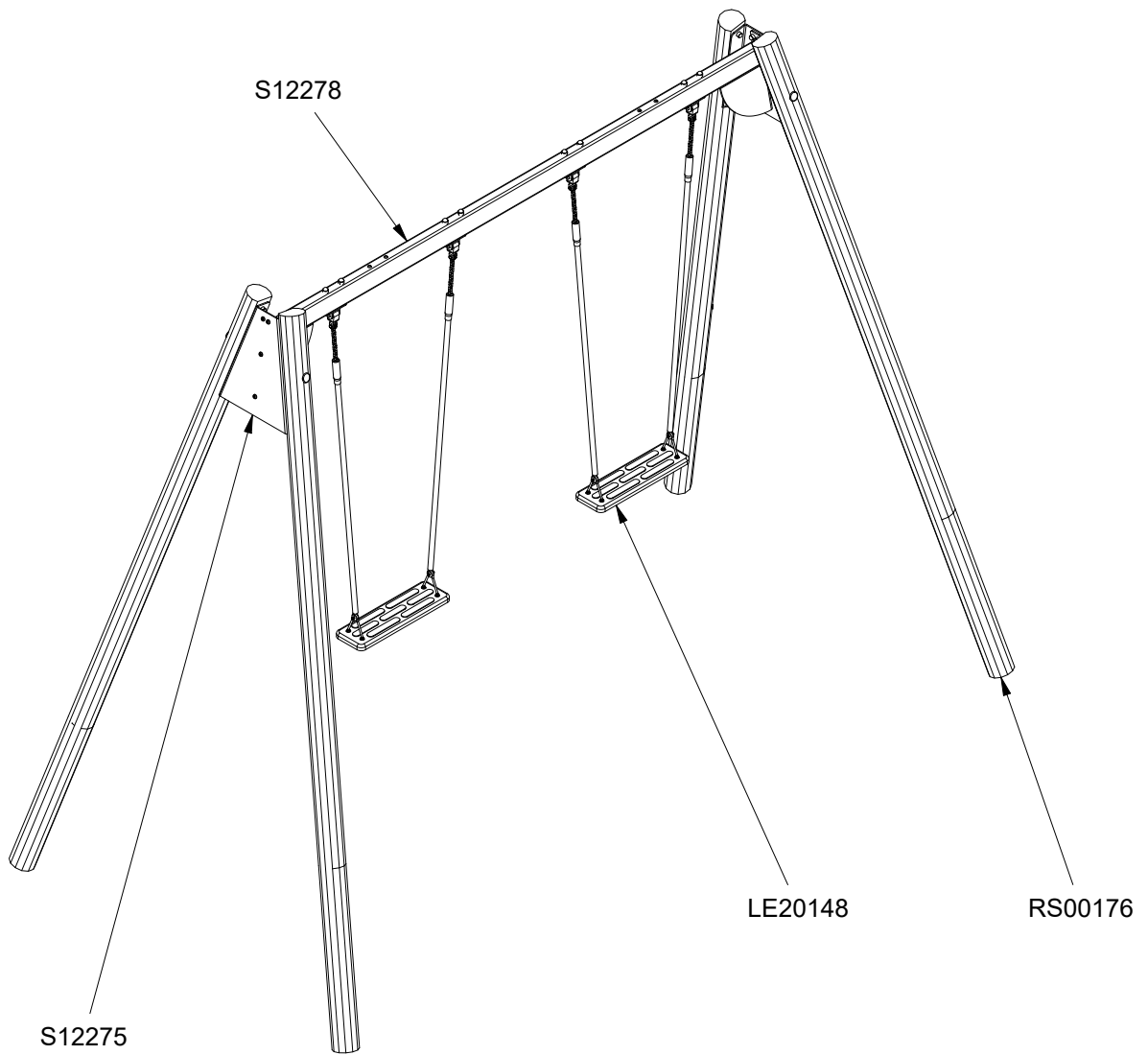
~0,15m³



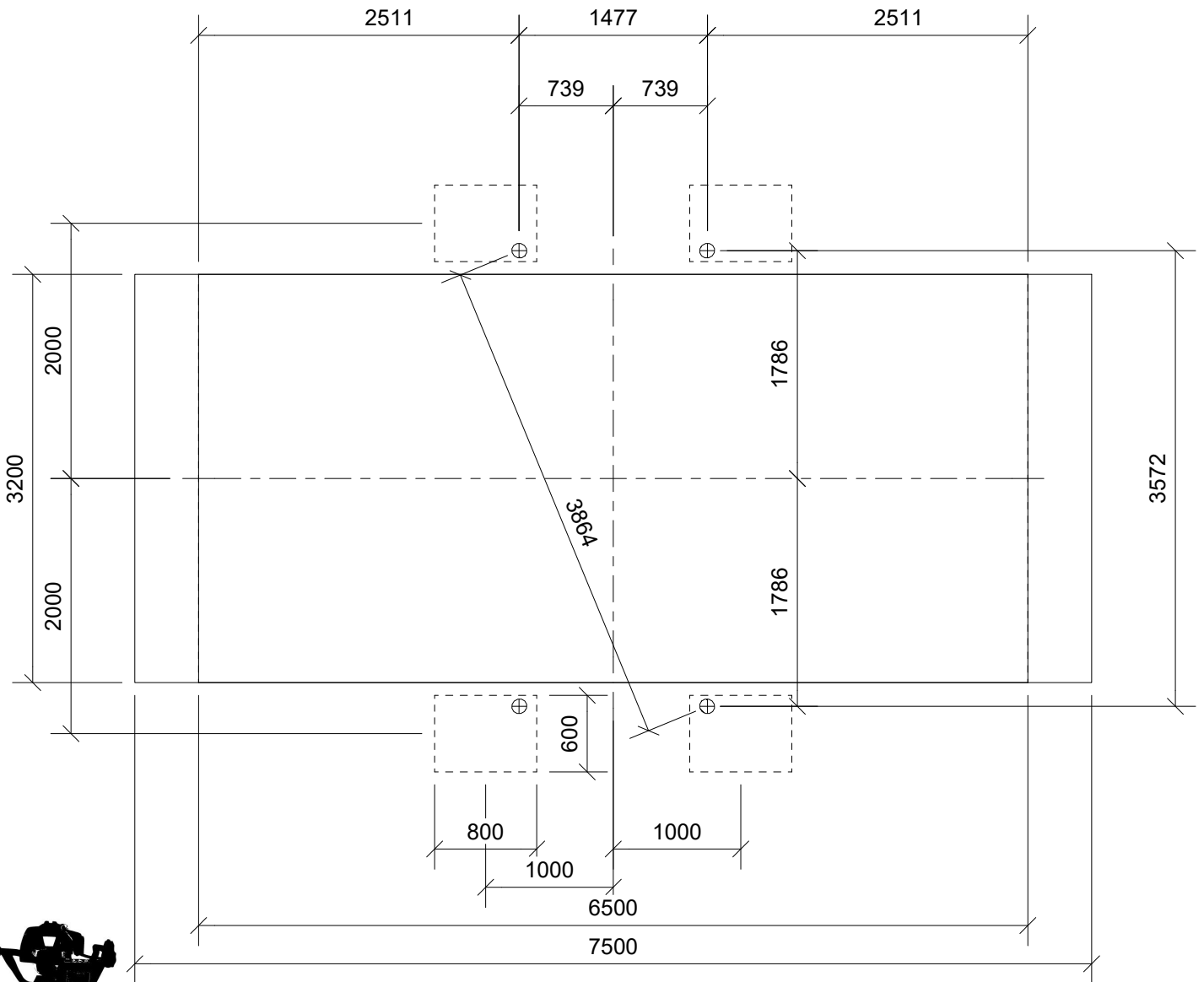
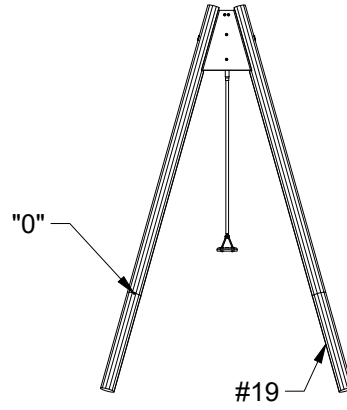
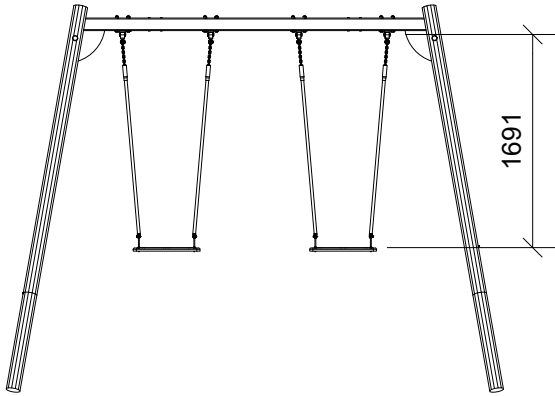
Ø12x320cm

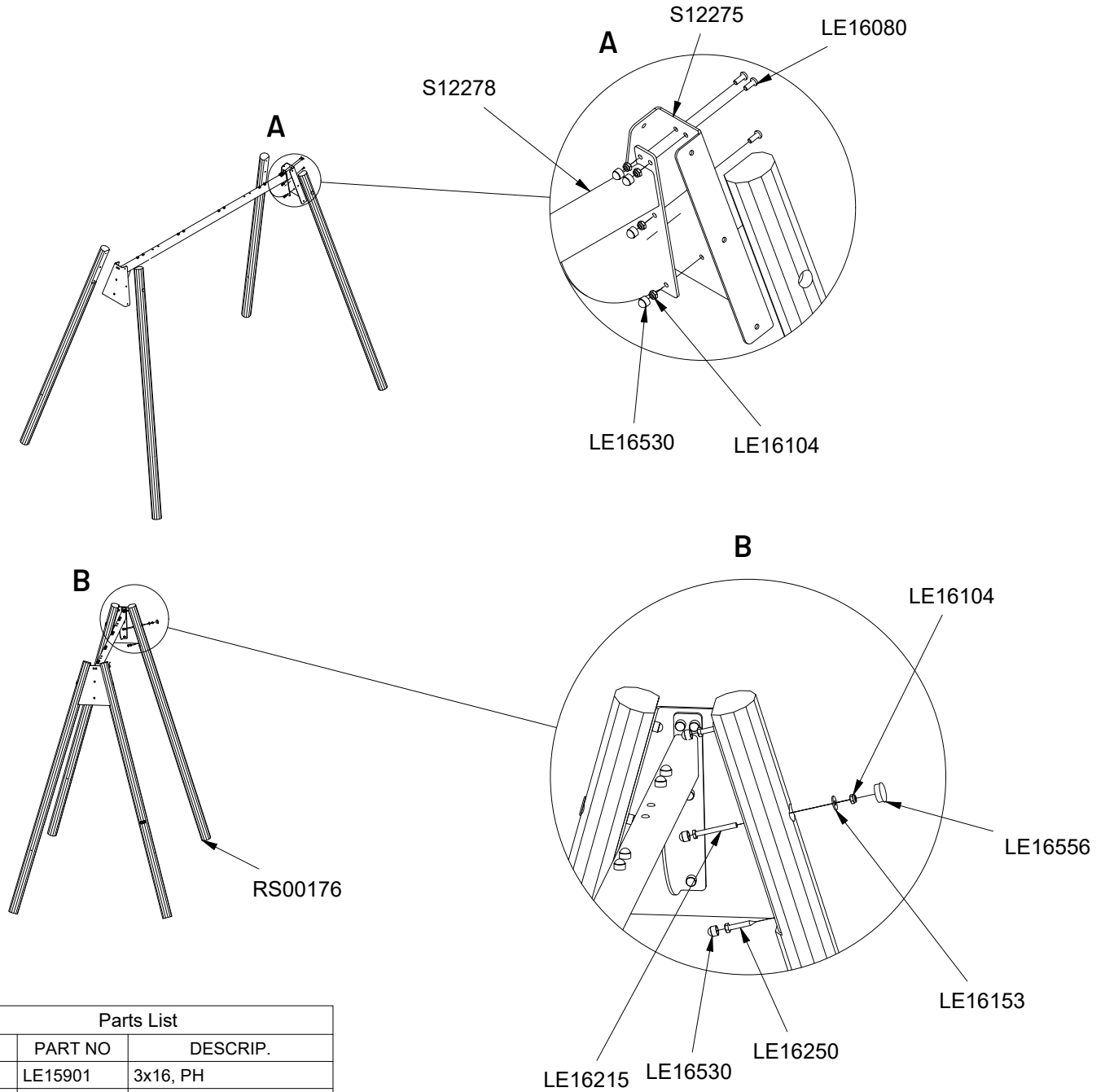


31kg



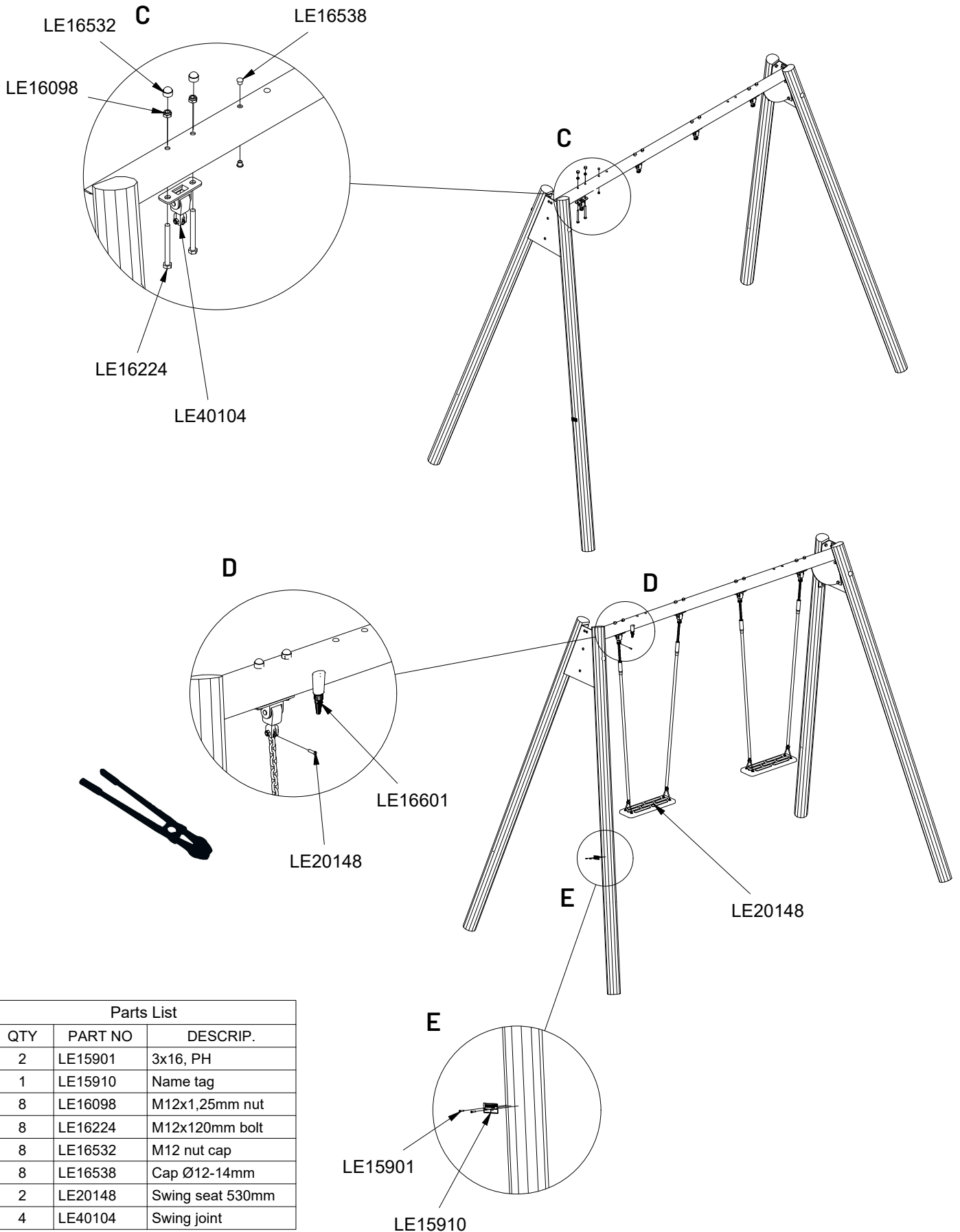
Parts List		
QTY	PART NO	DESCRIP.
4	RS00176	Ø100-120x3200mm
2	S12275	Endplate
1	S12278	Steel beam
2	LE20148	Swing seat 530mm





Parts List

QTY	PART NO	DESCRIP.
2	LE15901	3x16, PH
1	LE15910	Name tag
8	LE16080	10x25mm bottomhead
12	LE16104	M10x1,25mm nut
4	LE16153	M10 - Ø29mm
4	LE16215	M10x90mm bolt
8	LE16250	M10x60mm hex screw
20	LE16530	M10 nut cap
4	LE16556	Ø42/38mm
4	RS00176	Ø100-120x3200mm
2	S12275	Endplate
1	S12278	Steel beam



Parts List		
QTY	PART NO	DESCRIP.
2	LE15901	3x16, PH
1	LE15910	Name tag
8	LE16098	M12x1,25mm nut
8	LE16224	M12x120mm bolt
8	LE16532	M12 nut cap
8	LE16538	Cap Ø12-14mm
2	LE20148	Swing seat 530mm
4	LE40104	Swing joint