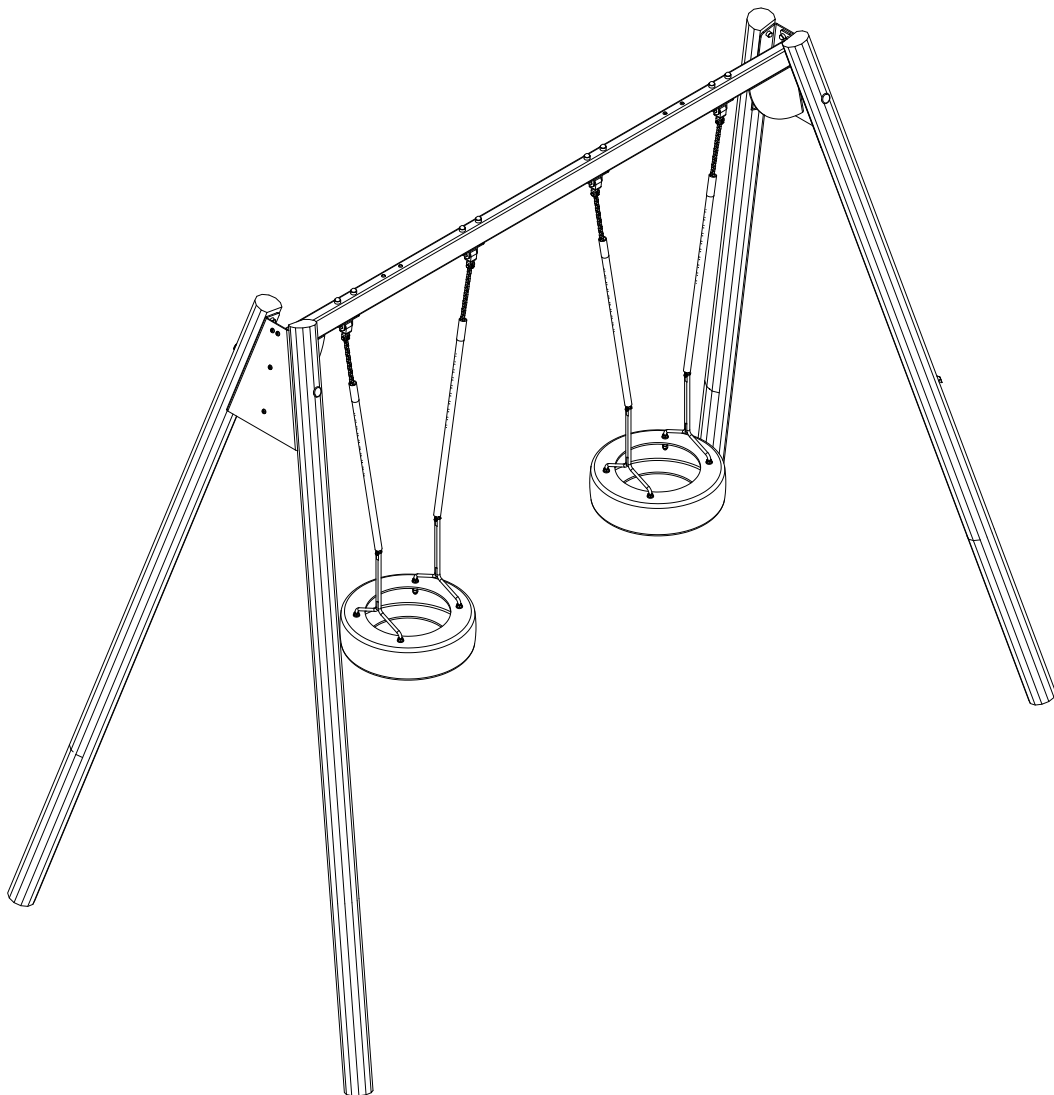
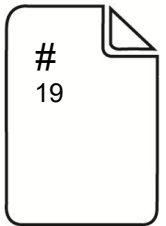
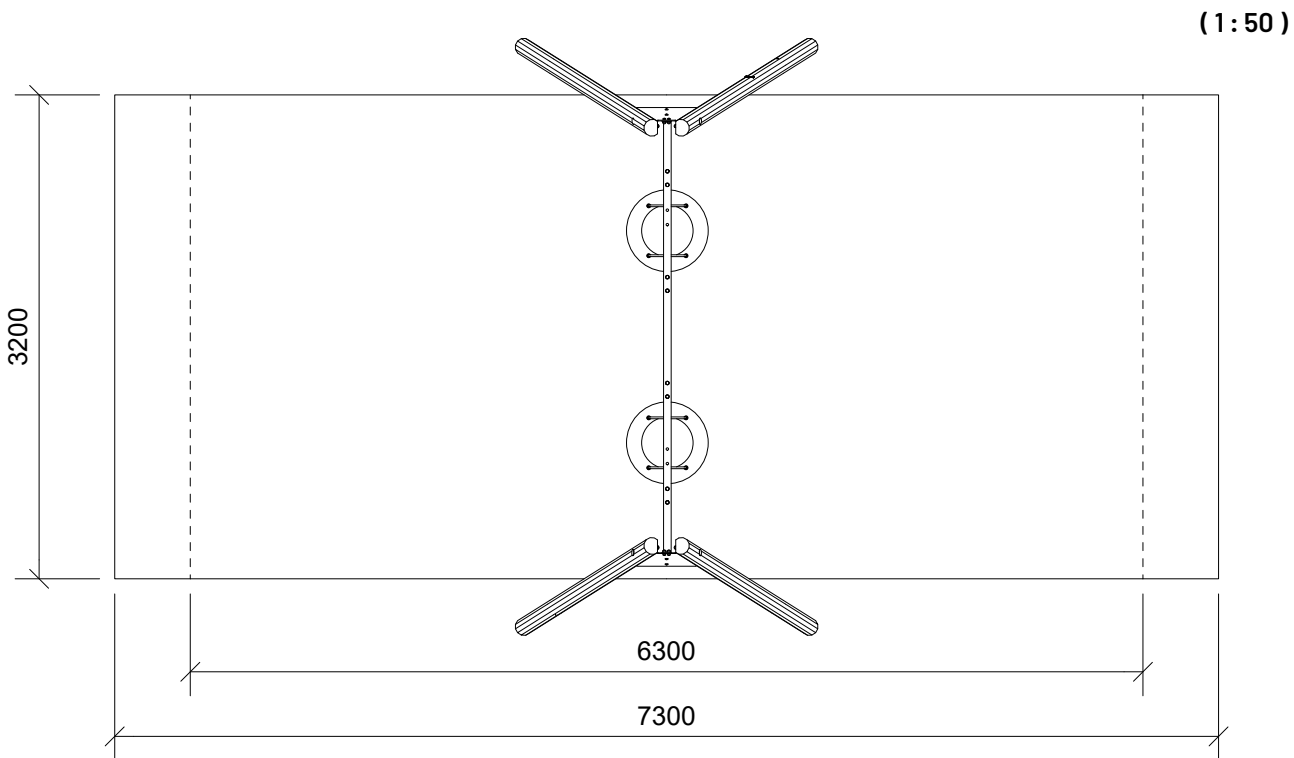
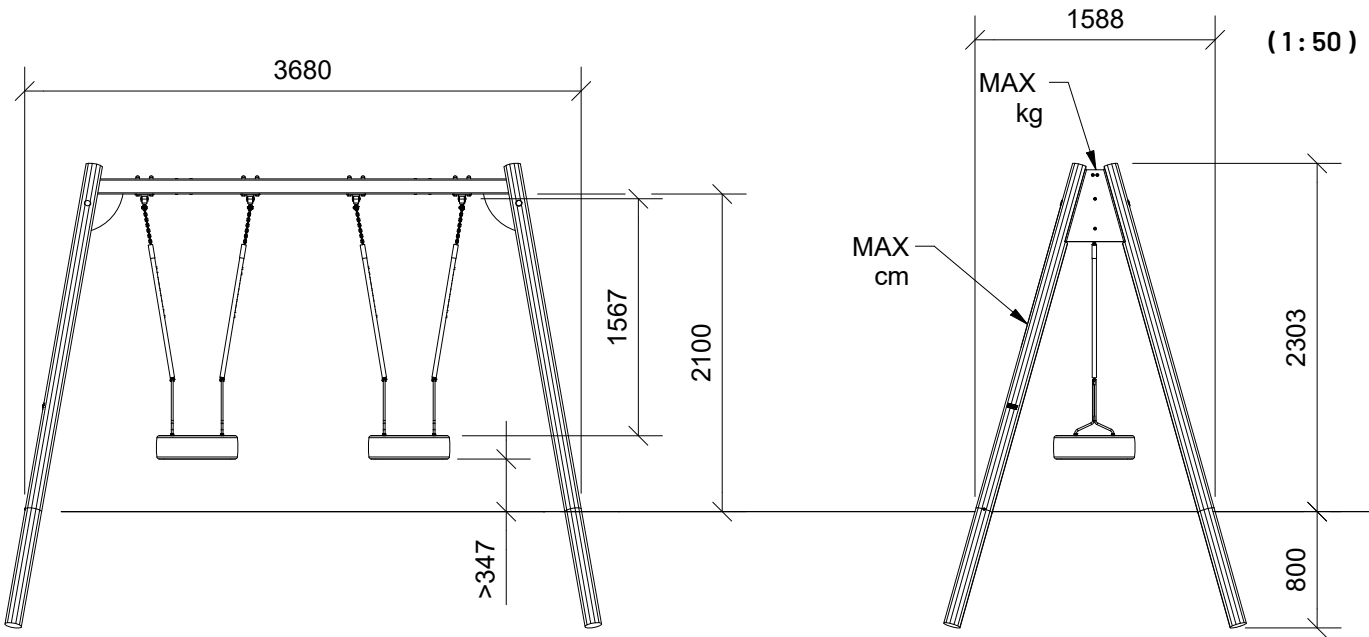


LE20220U  
LE20220

1/6





2



8t



23,4m<sup>2</sup>



7,3x3,2x2,3m



~N/A



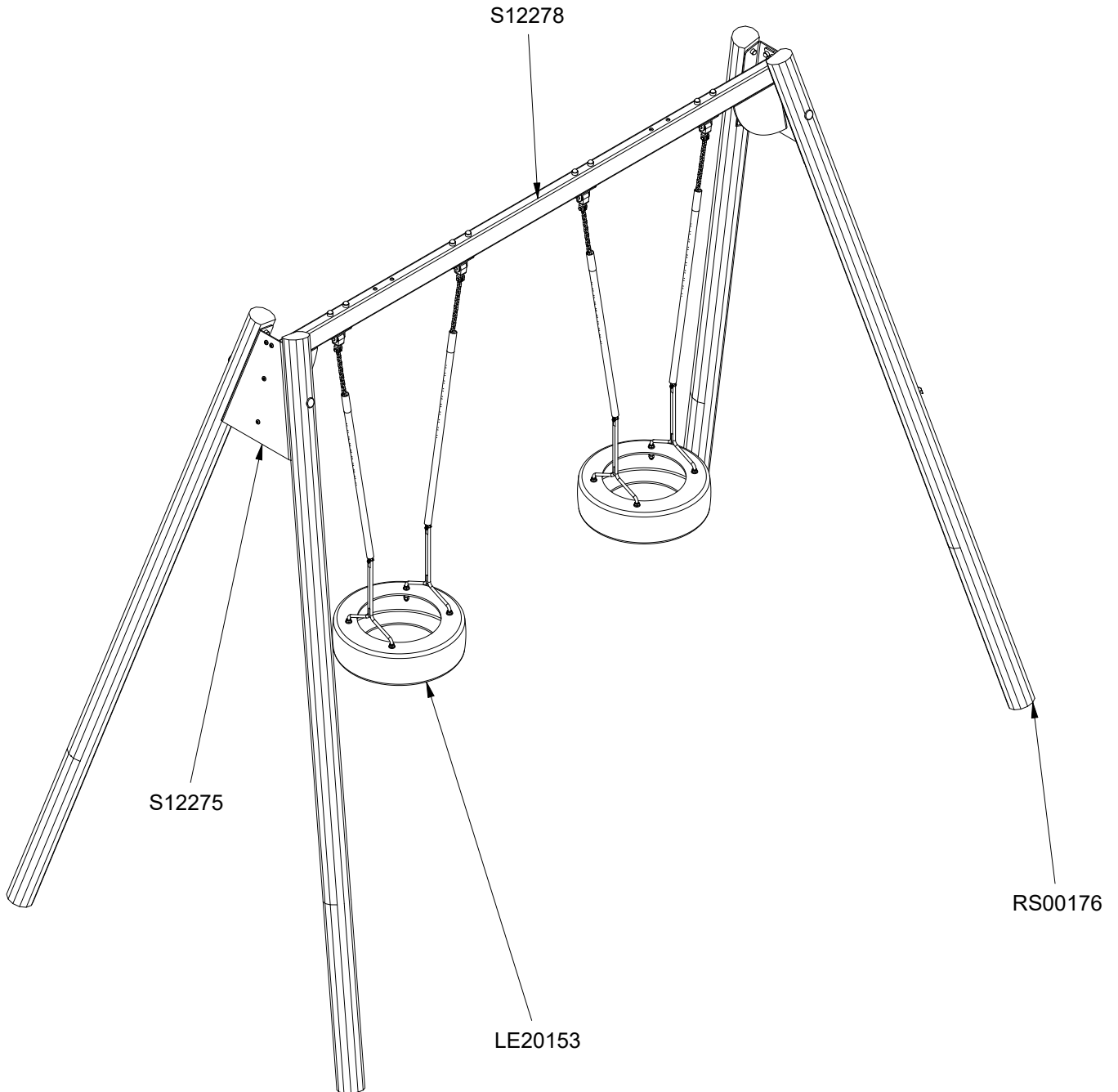
~0,15m<sup>3</sup>



Ø12-320cm



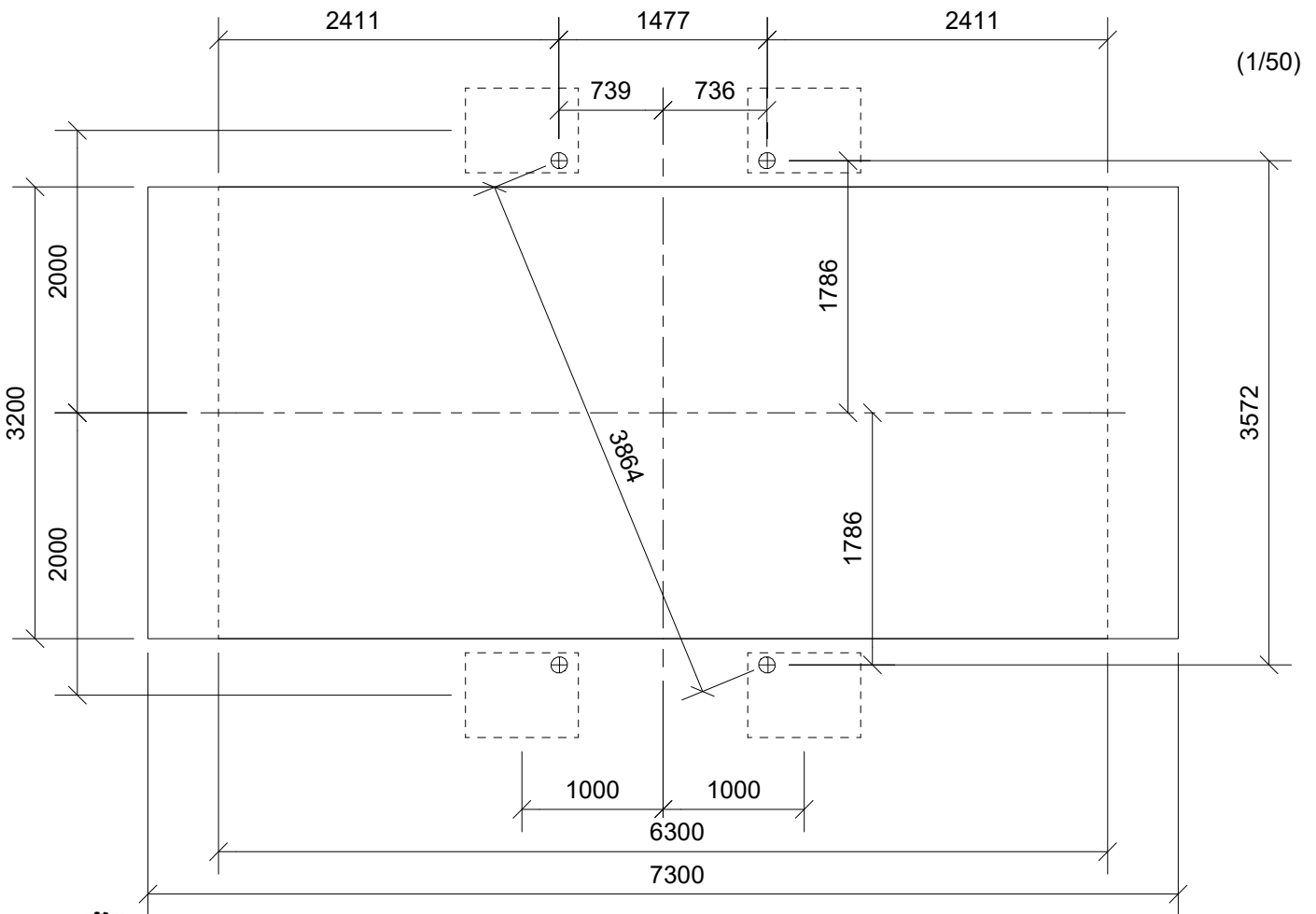
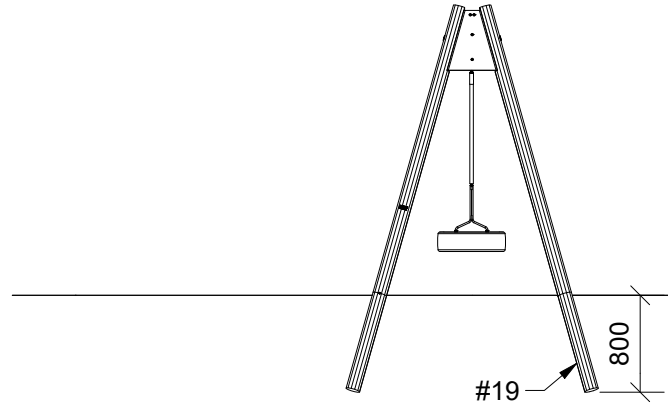
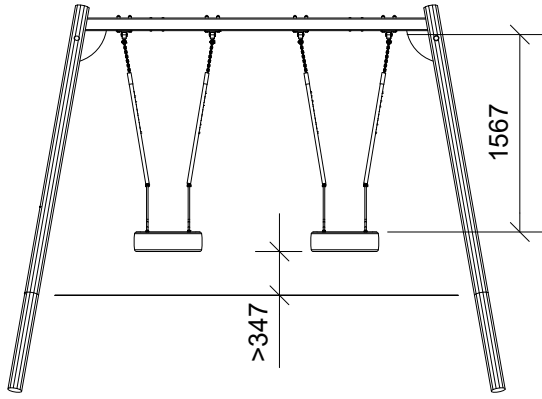
31kg



Parts List

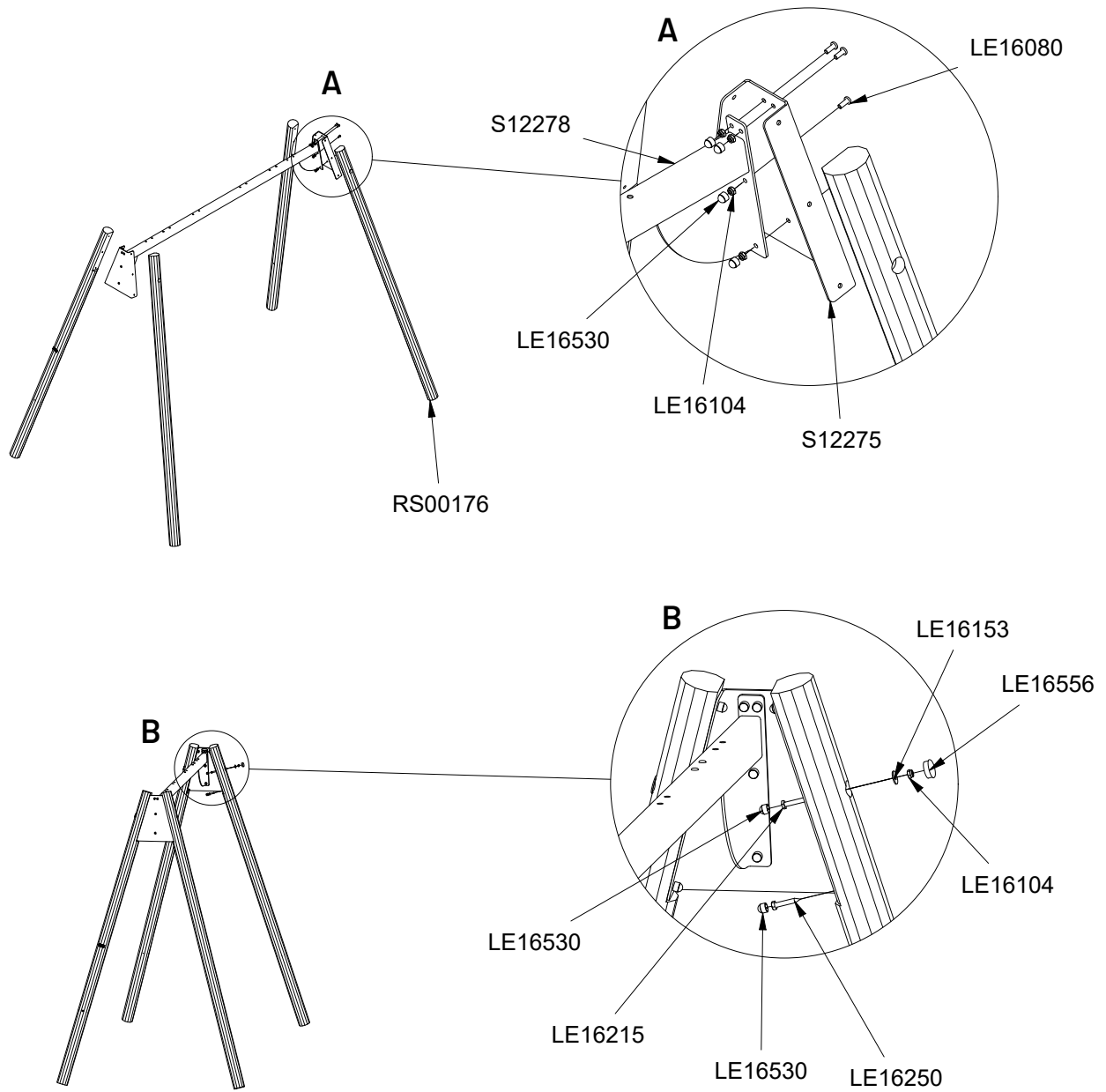
QTY	PART NO	DESCRIP.
2	LE20153	Swing seat tire Ø550
1	S12278	Steel beam
2	S12275	Endplate
4	RS00176	Ø100-120x3200mm

(1/60)

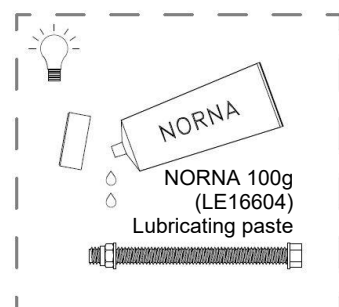


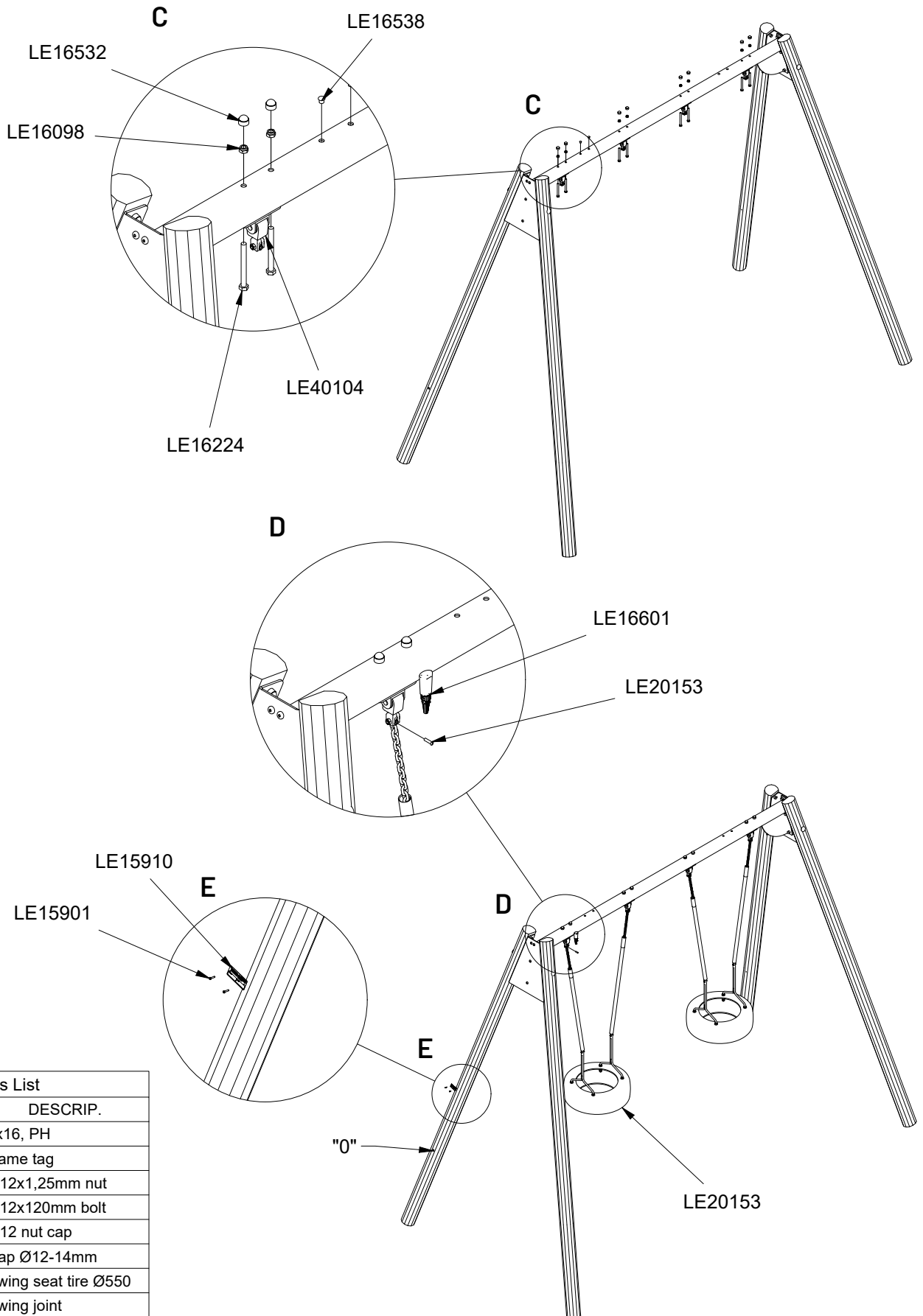
(1/50)





Parts List		
QTY	PART NO	DESCRIP.
4	RS00176	Ø100-120x3200mm
8	LE16250	M10x60mm hex screw
8	LE16080	10x25mm bottomhead
4	LE16215	M10x90mm bolt
4	LE16153	M10 - Ø29mm
4	LE16556	Ø42/38mm
1	S12278	Steel beam
2	S12275	Endplate
12	LE16104	M10x1,25mm nut
20	LE16530	M10 nut cap





Parts List		
QTY	PART NO	DESCRIP.
2	LE15901	3x16, PH
1	LE15910	Name tag
8	LE16098	M12x1,25mm nut
8	LE16224	M12x120mm bolt
8	LE16532	M12 nut cap
8	LE16538	Cap Ø12-14mm
2	LE20153	Swing seat tire Ø550
4	LE40104	Swing joint