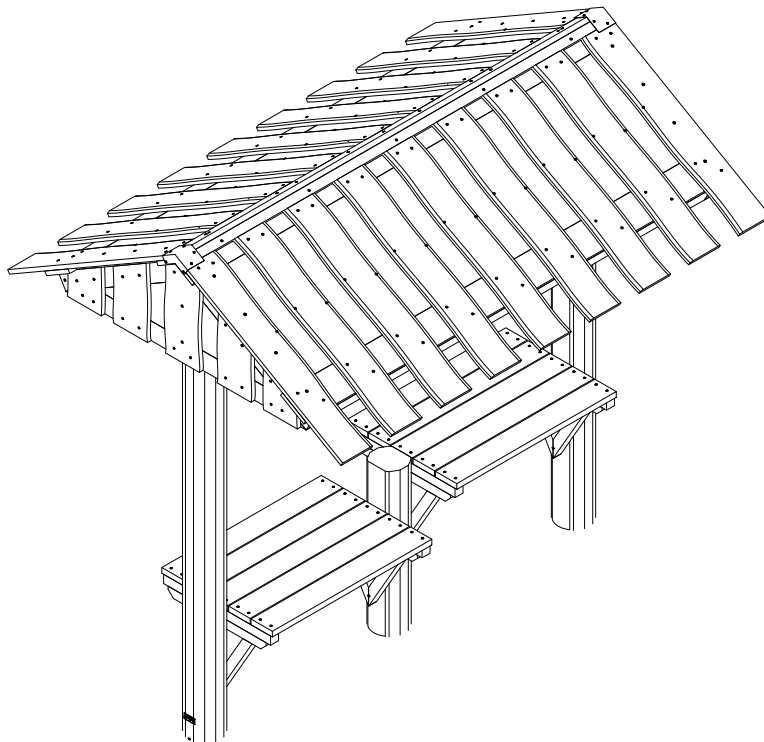
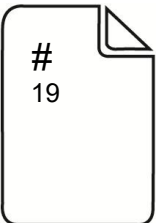
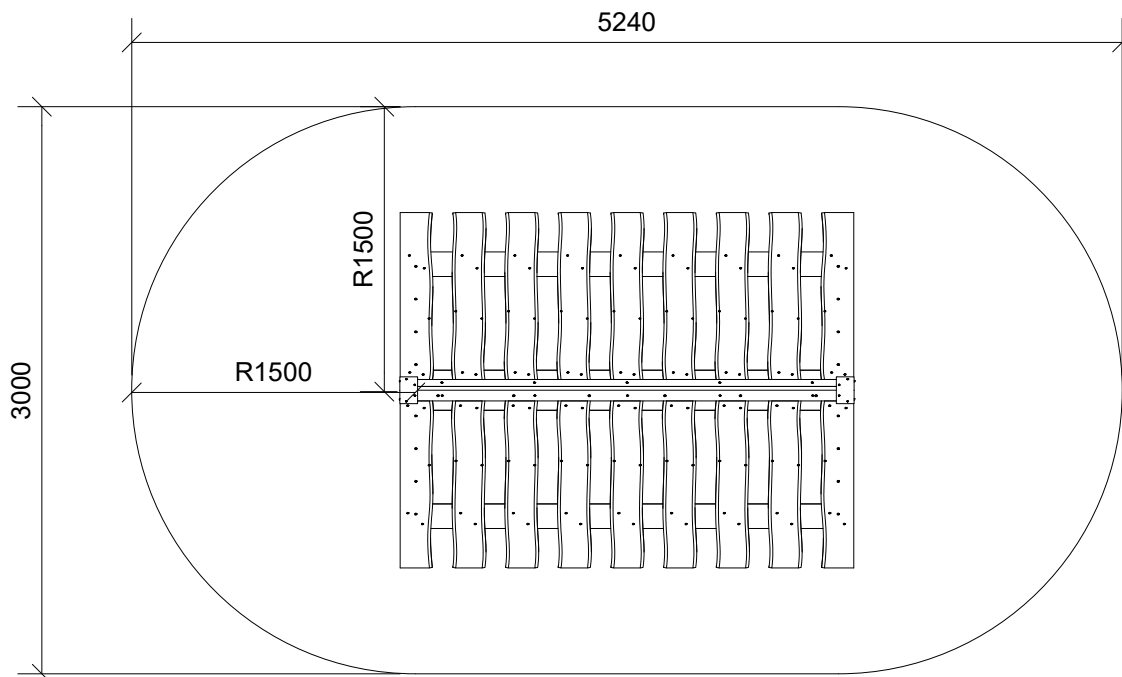
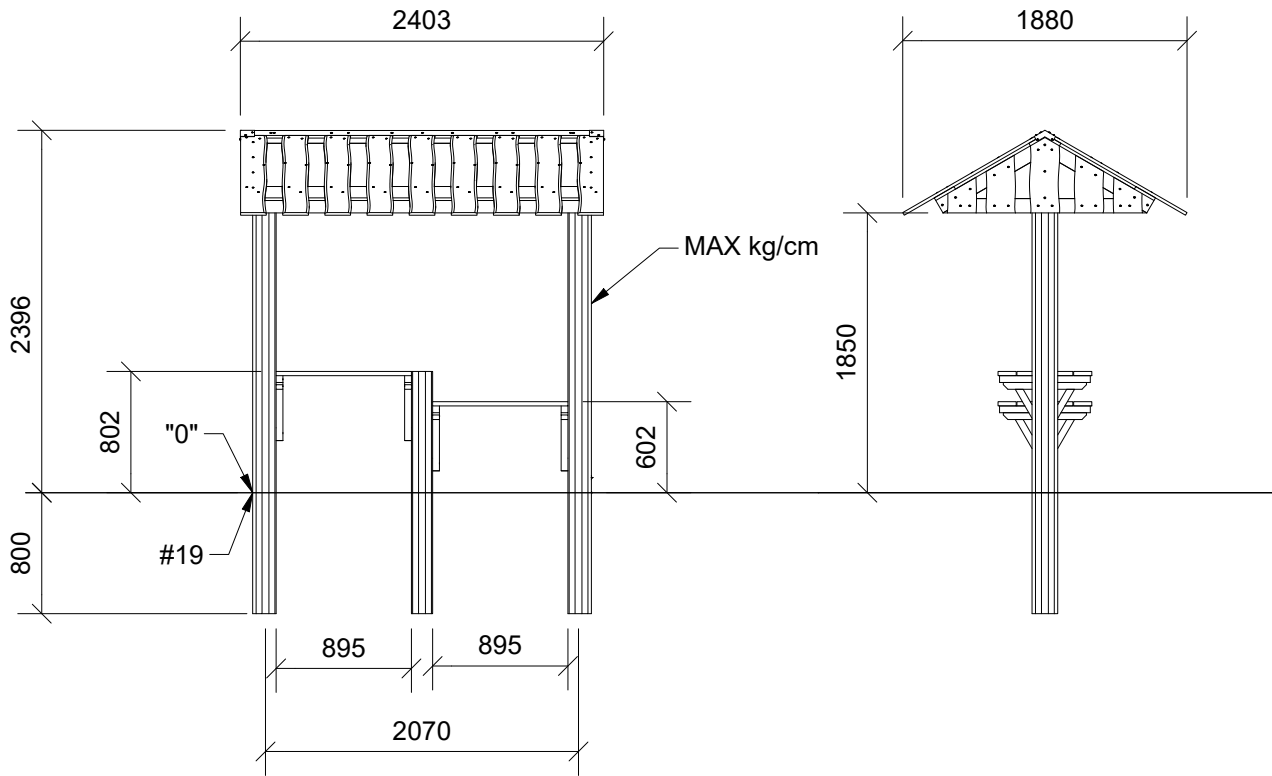


LE20096U
LE20096

1/6





2



5h



27 m²



5,2 x 3,0 x 2,3 m



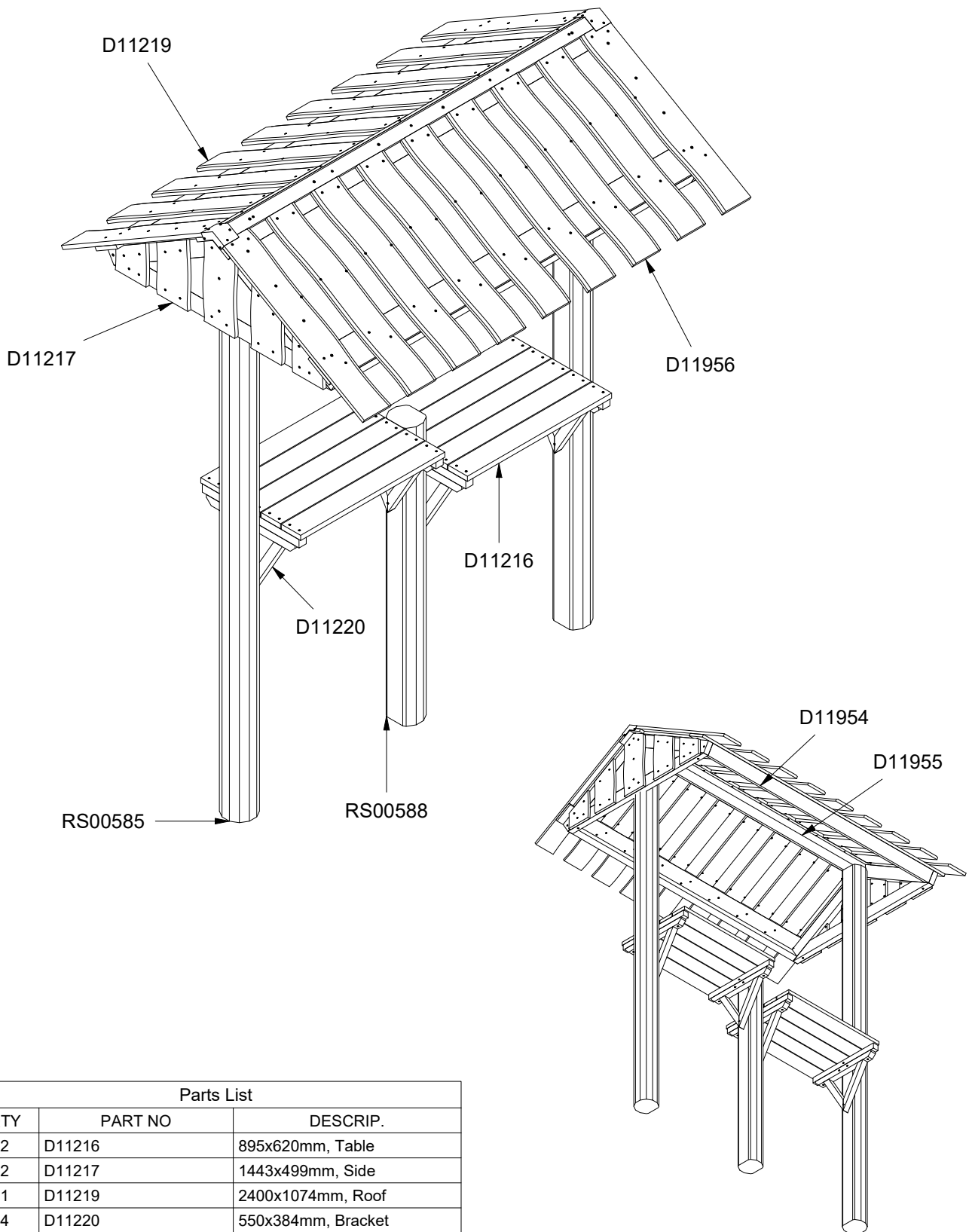
~465 kg



Ø17 x 300 cm

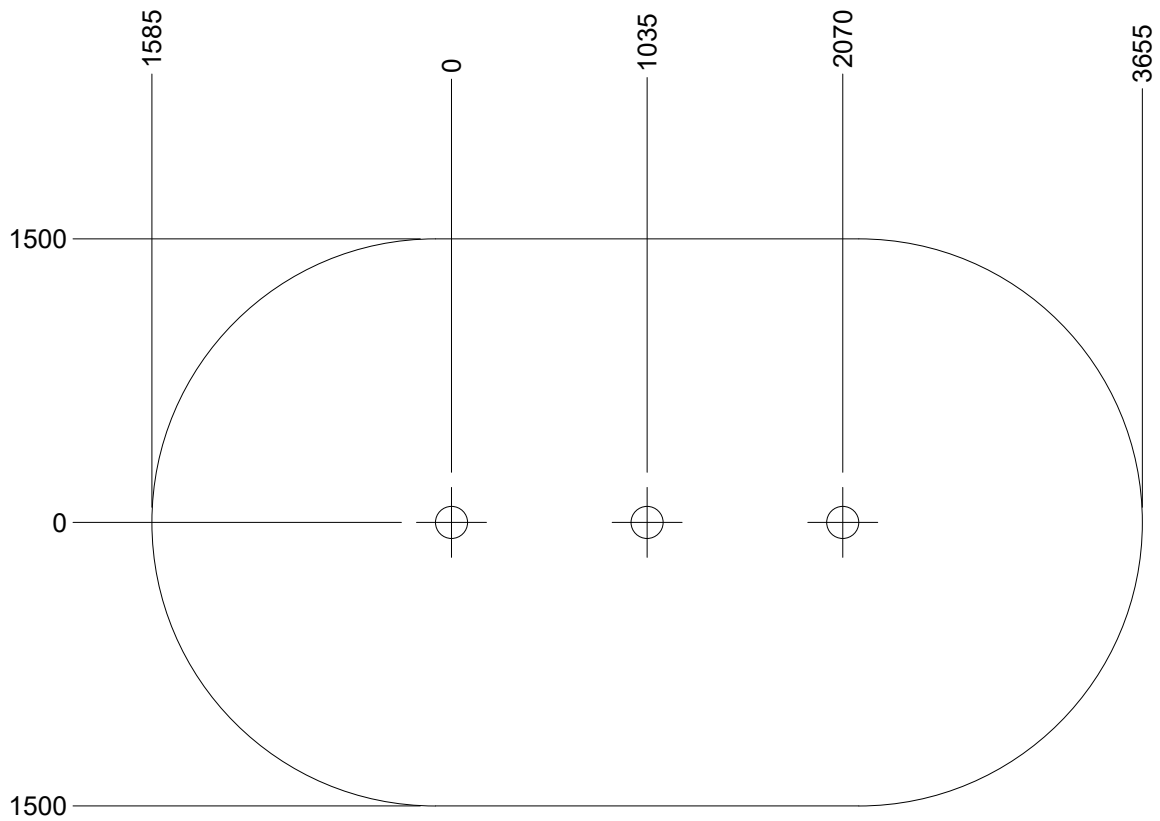
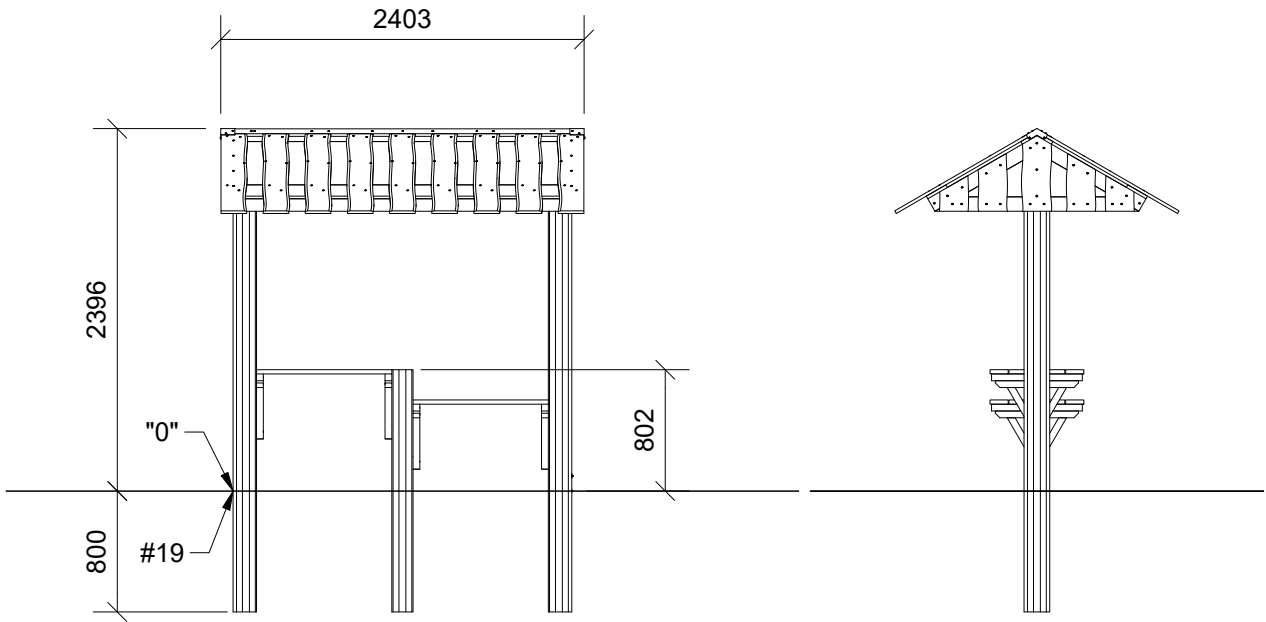


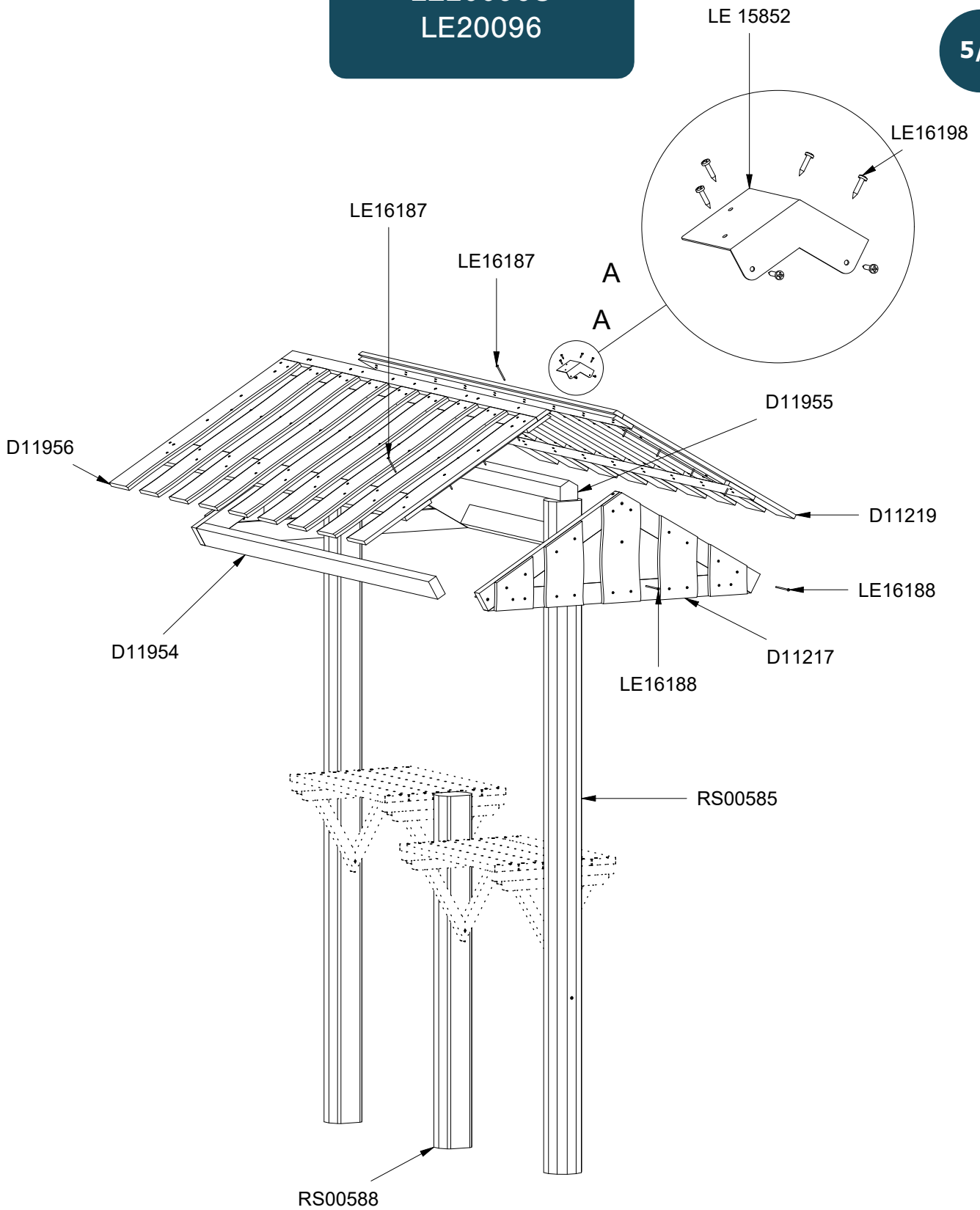
128 kg



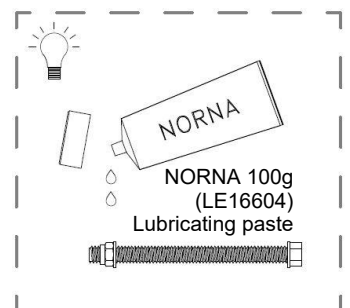
Parts List

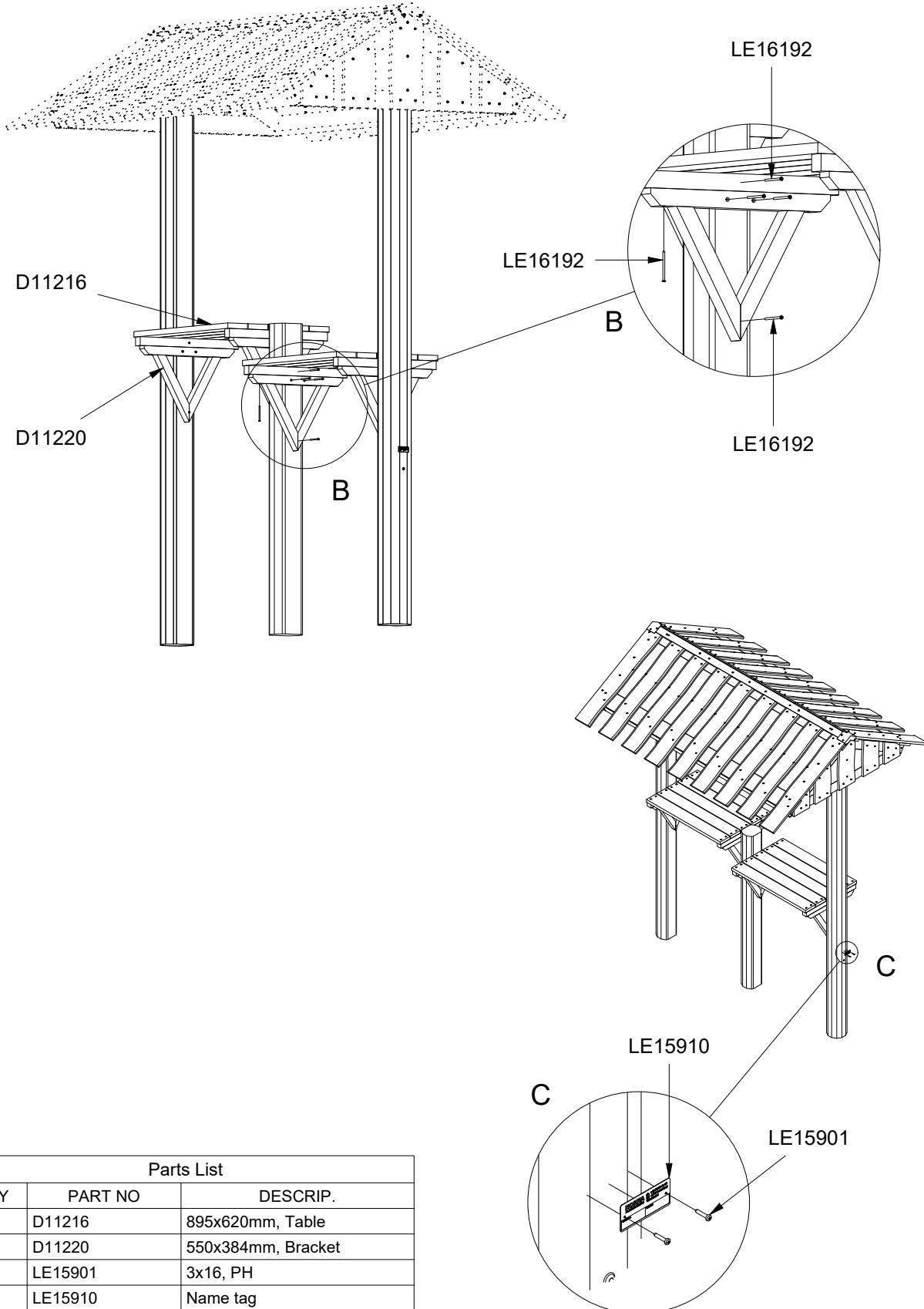
QTY	PART NO	DESCRIP.
2	D11216	895x620mm, Table
2	D11217	1443x499mm, Side
1	D11219	2400x1074mm, Roof
4	D11220	550x384mm, Bracket
2	D11954	2190x45mm, Beam
1	D11955	2190x90mm, Beam
1	D11956	2400x1097mm, Roof
2	RS00585	Ø160-180x3000 mm
1	RS00588	Ø160-180x1600mm





Parts List		
QTY	PART NO	DESCRIP.
2	D11217	1443x499mm, Side
1	D11219	2400x1074mm, Roof
2	D11954	2190x45mm, Beam
1	D11955	2190x90mm, Beam
1	D11956	2400x1097mm, Roof
2	LE 15852	Bracket
1	LE16320	6x50 Dh
2	RS00585	Ø160-180x3000 mm
1	RS00588	Ø160-180x1600mm
24	LE16192	5x80mm





Parts List

QTY	PART NO	DESCRIP.
2	D11216	895x620mm, Table
4	D11220	550x384mm, Bracket
2	LE15901	3x16, PH
1	LE15910	Name tag
24	LE16192	5x80mm