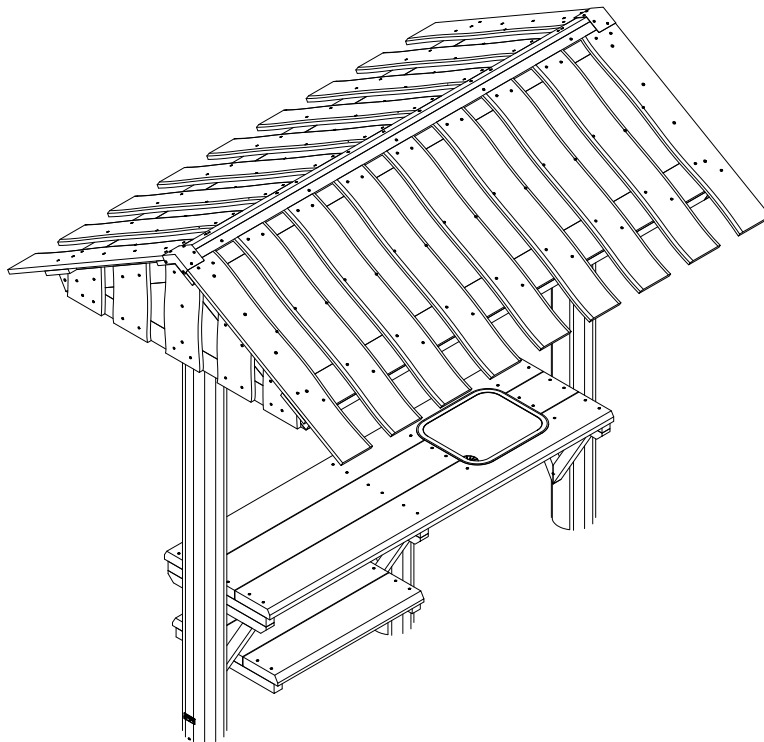
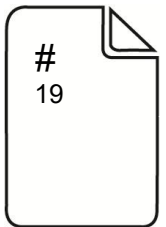
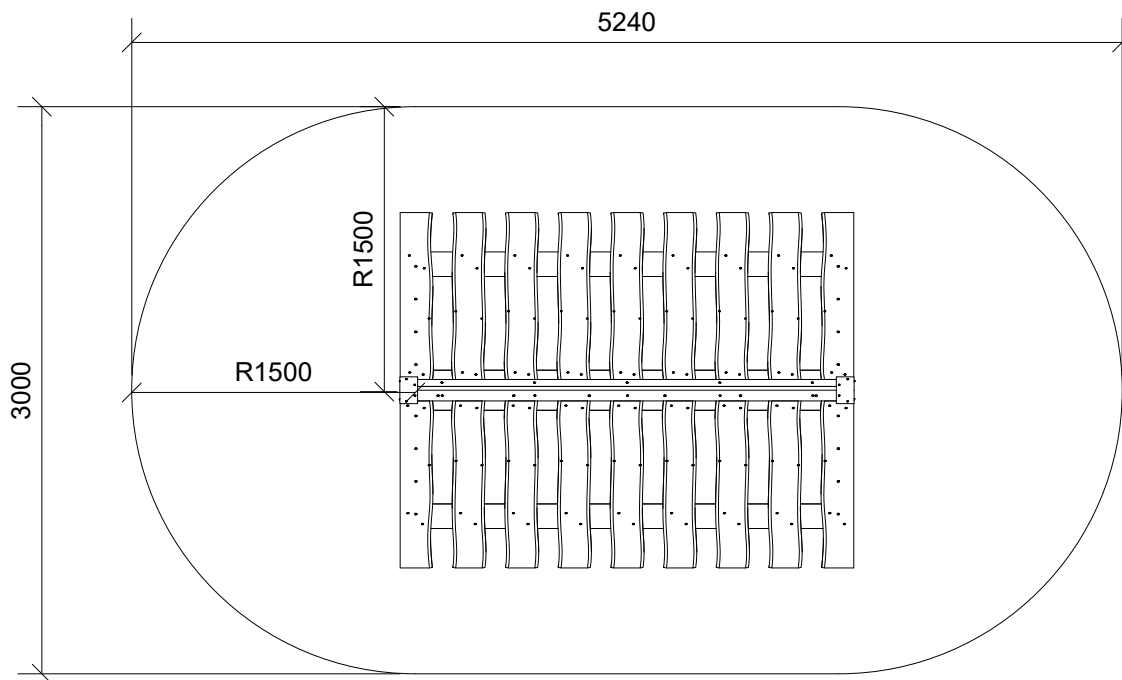
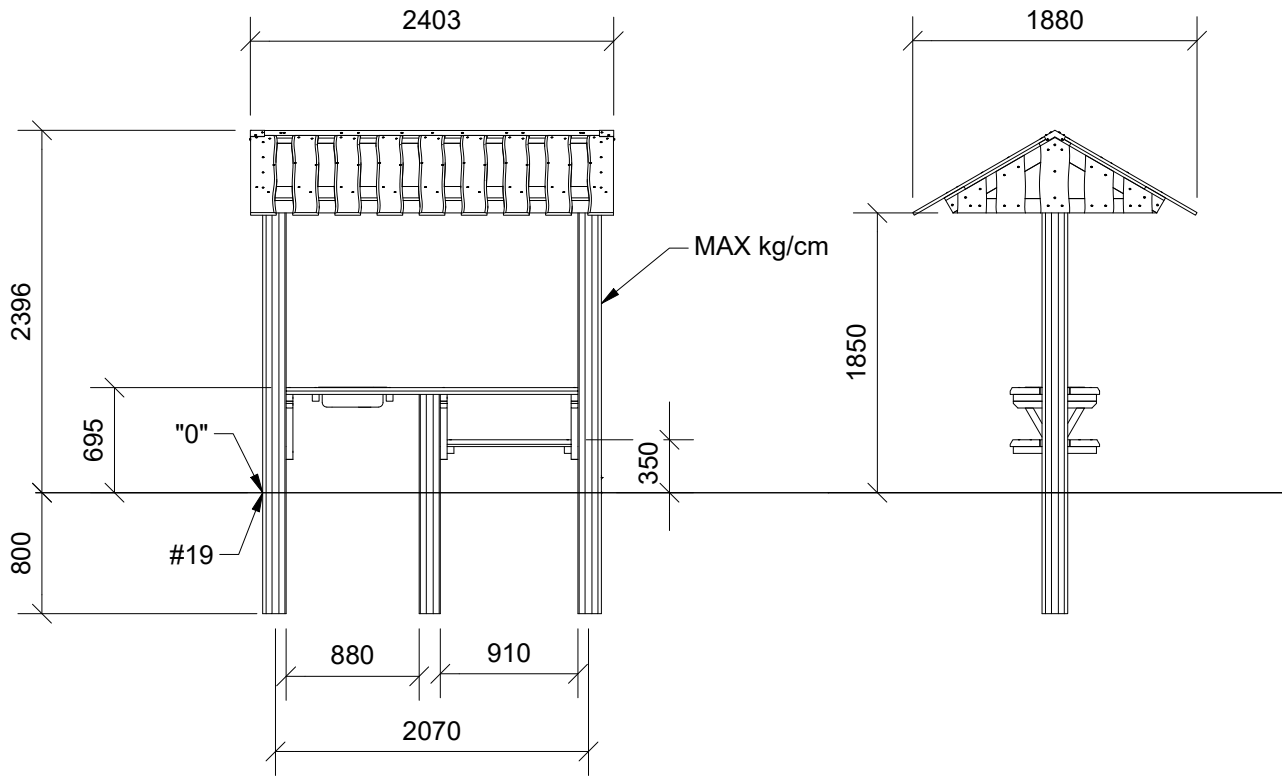


LE20082U
LE20082

1/6





2



5h



27 m²



5,2 x 3,0 x 2,3 m



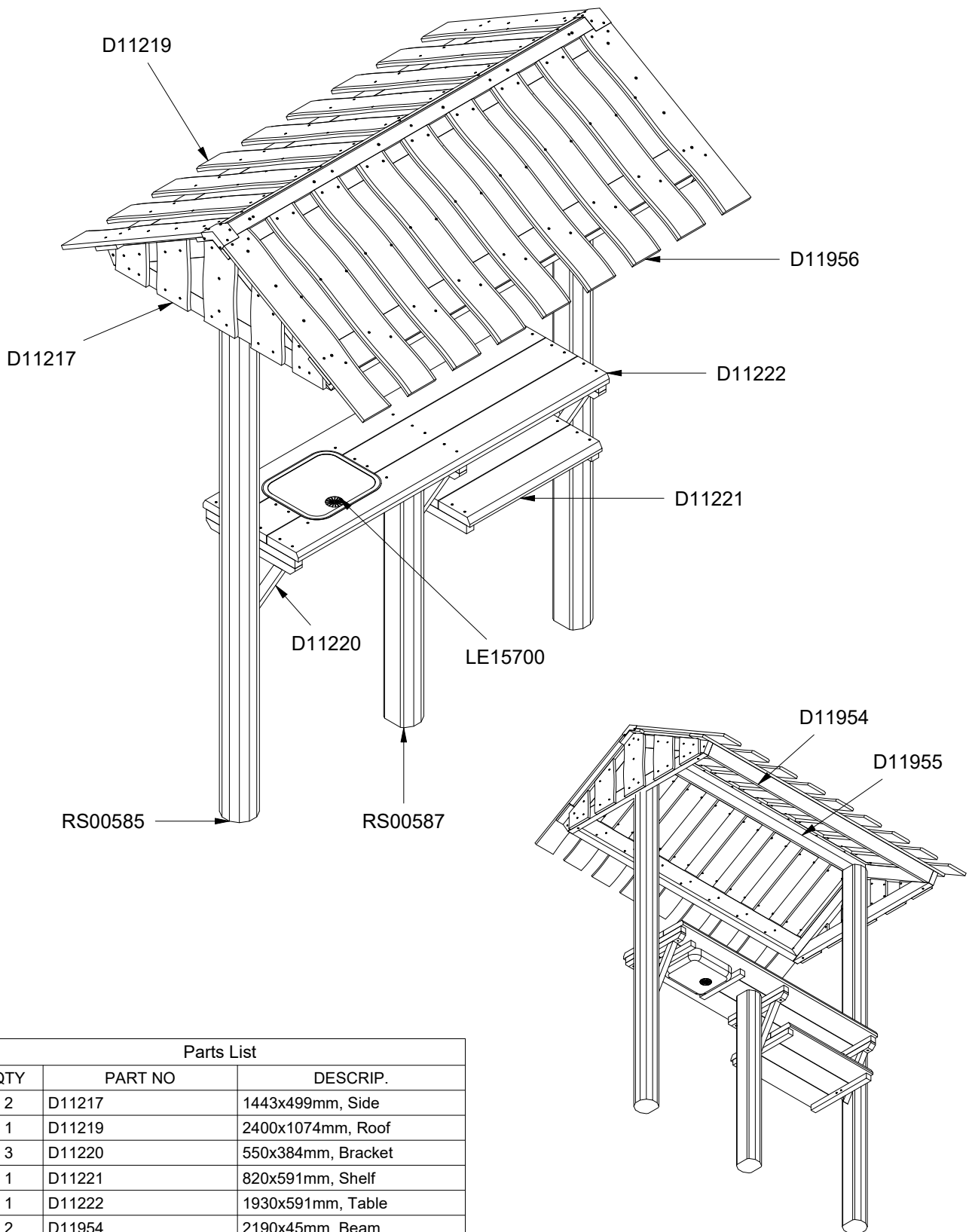
~483 kg



Ø17 x 300 cm

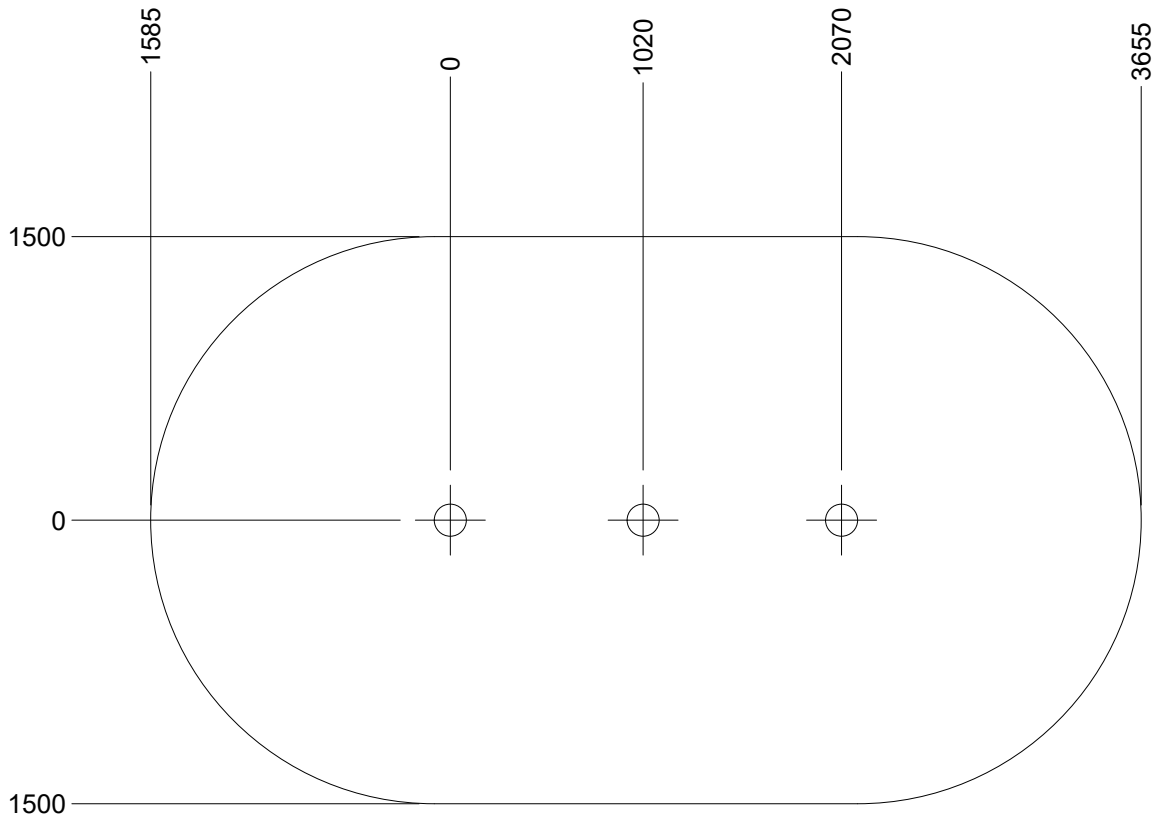
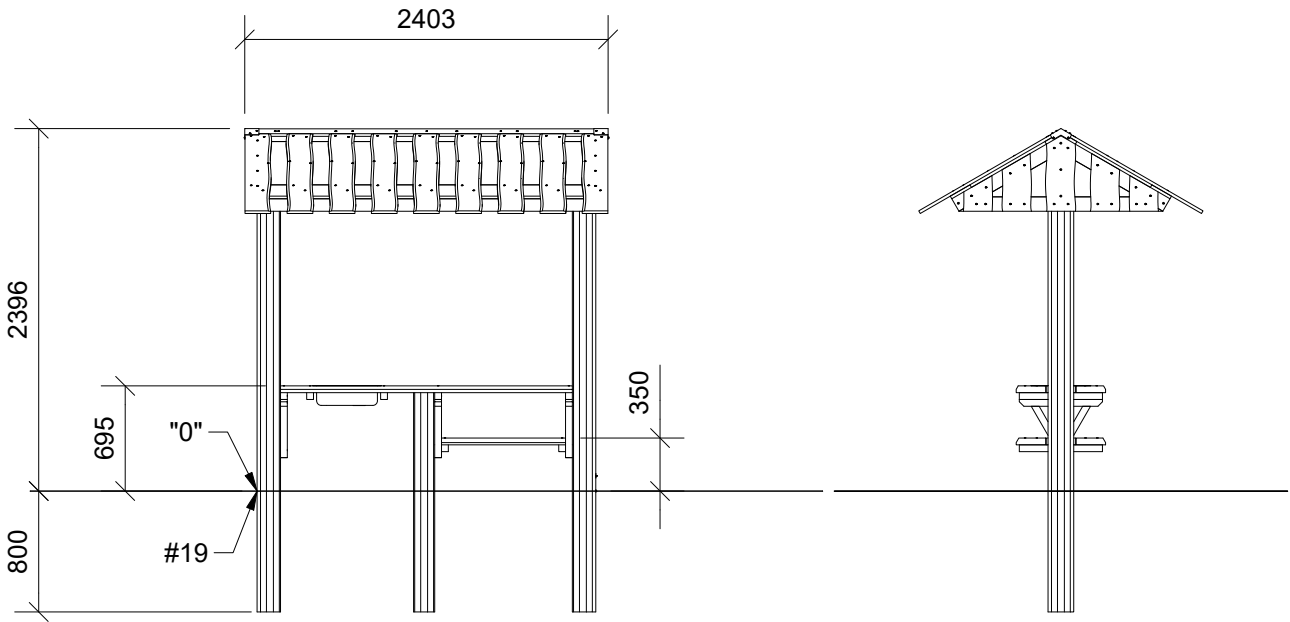


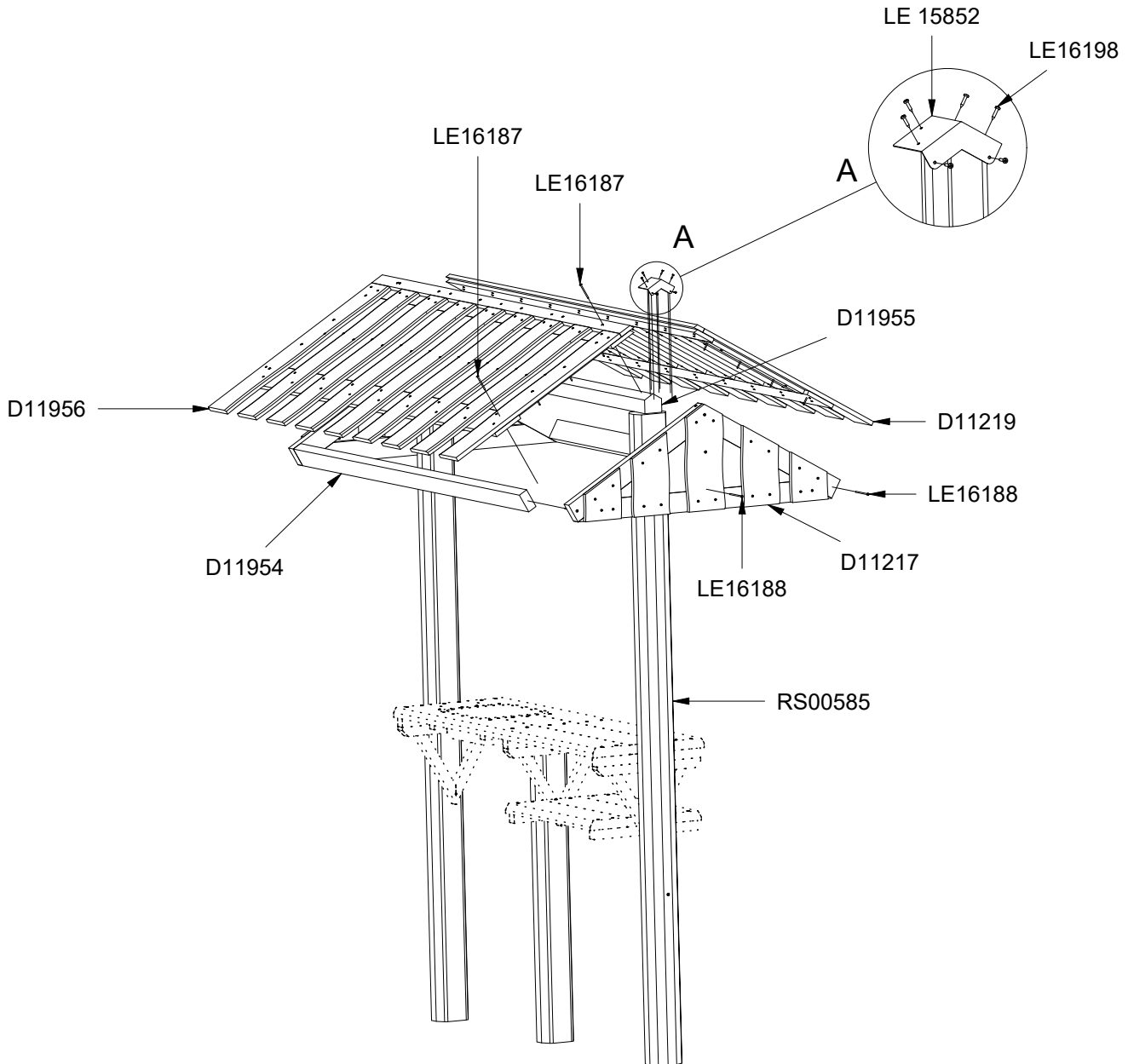
128 kg



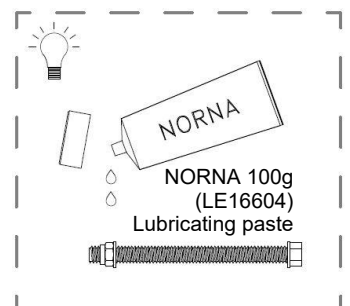
Parts List

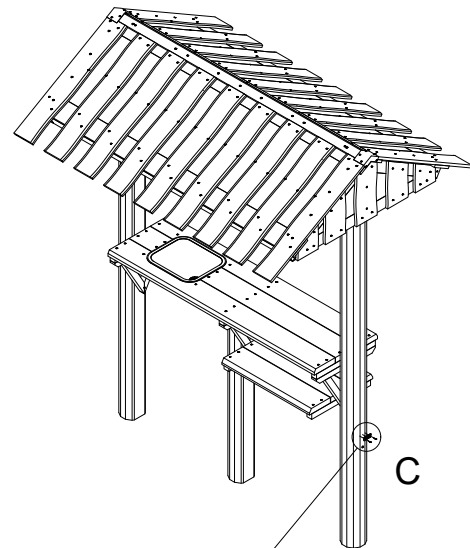
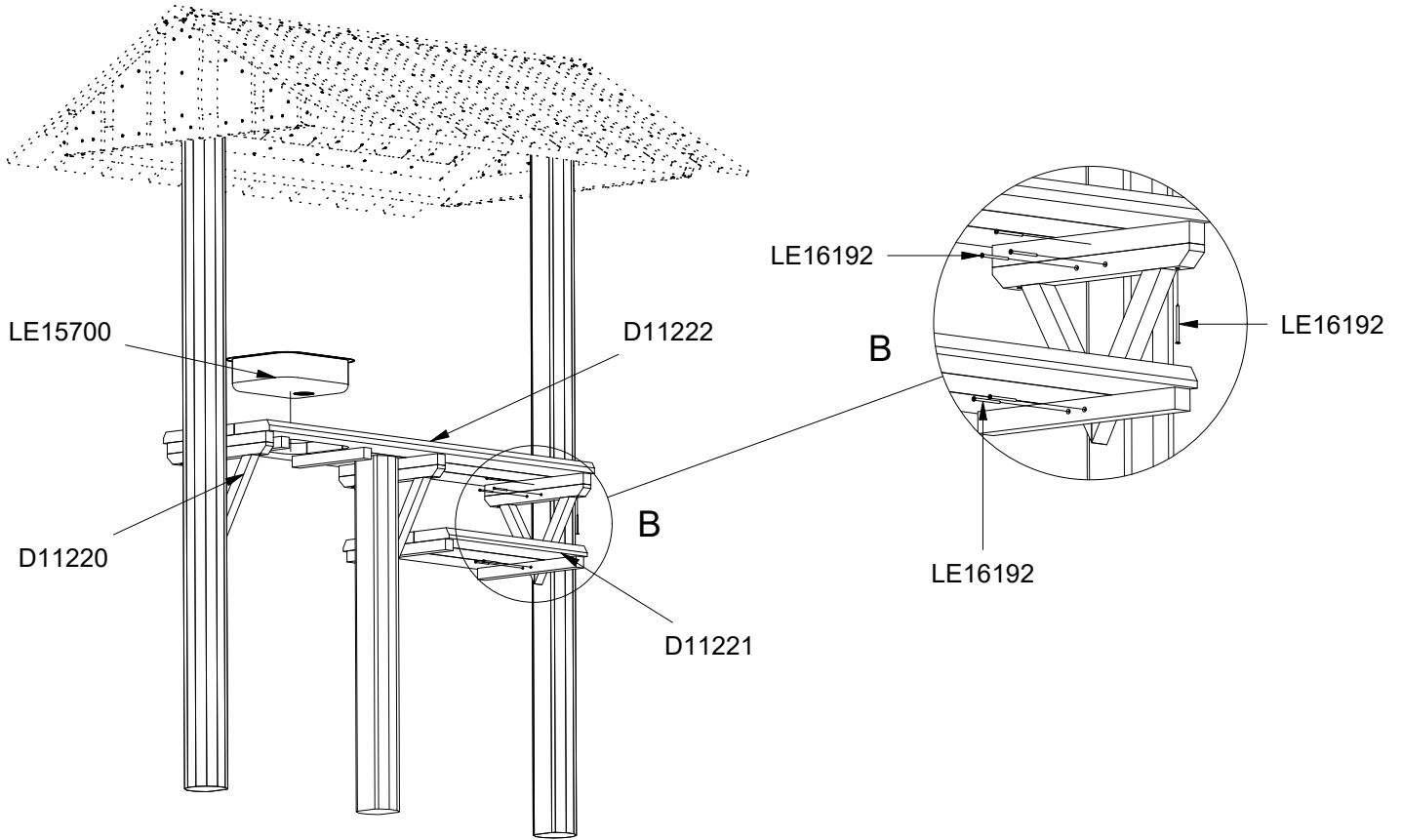
QTY	PART NO	DESCRIP.
2	D11217	1443x499mm, Side
1	D11219	2400x1074mm, Roof
3	D11220	550x384mm, Bracket
1	D11221	820x591mm, Shelf
1	D11222	1930x591mm, Table
2	D11954	2190x45mm, Beam
1	D11955	2190x90mm, Beam
1	D11956	2400x1097mm, Roof
1	LE15700	454x394mm, Sink
2	RS00585	Ø160-180x3000 mm
1	RS00587	Ø160-180x1450 mm





Parts List		
QTY	PART NO	DESCRIP.
2	D11217	1443x499mm, Side
1	D11219	2400x1074mm, Roof
2	D11954	2190x45mm, Beam
1	D11955	2190x90mm, Beam
1	D11956	2400x1097mm, Roof
2	LE 15852	Bracket
22	LE16187	Ø6x80mm
10	LE16188	6x120
12	LE16198	4x20mm PH
1	LE16320	6x50 Dh
2	RS00585	Ø160-180x3000 mm
1	RS00587	Ø160-180x1450 mm





Parts List		
QTY	PART NO	DESCRIP.
3	D11220	550x384mm, Bracket
1	D11221	820x591mm, Shelf
1	D11222	1930x591mm, Table
1	LE15700	454x394mm, Sink
2	LE15901	3x16, PH
1	LE15910	Name tag
22	LE16187	Ø6x80mm
10	LE16188	6x120
20	LE16192	5x80mm

