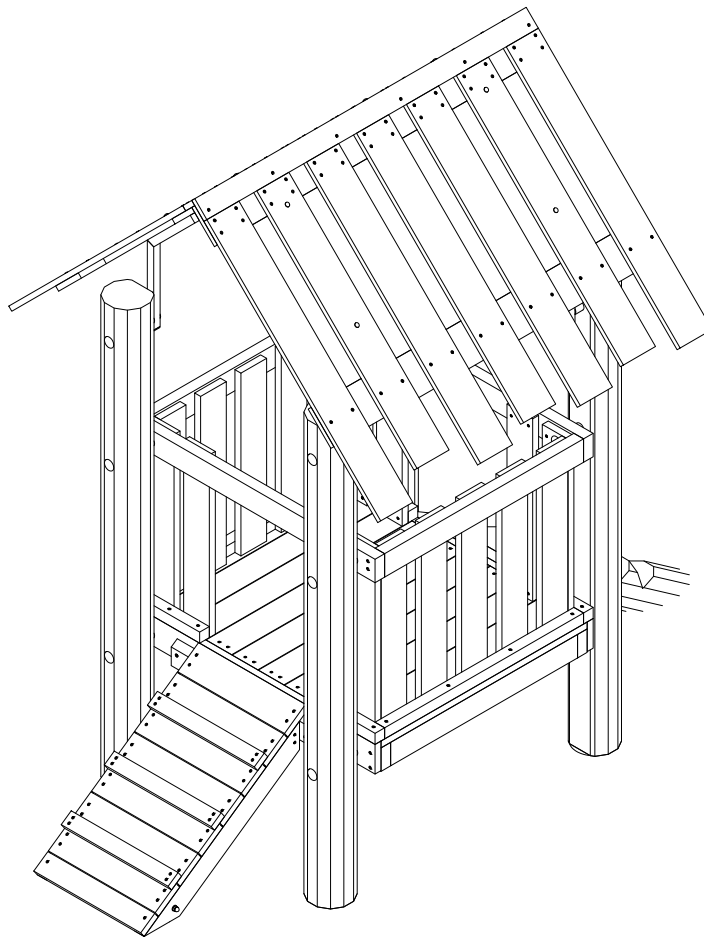
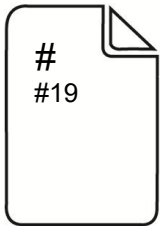
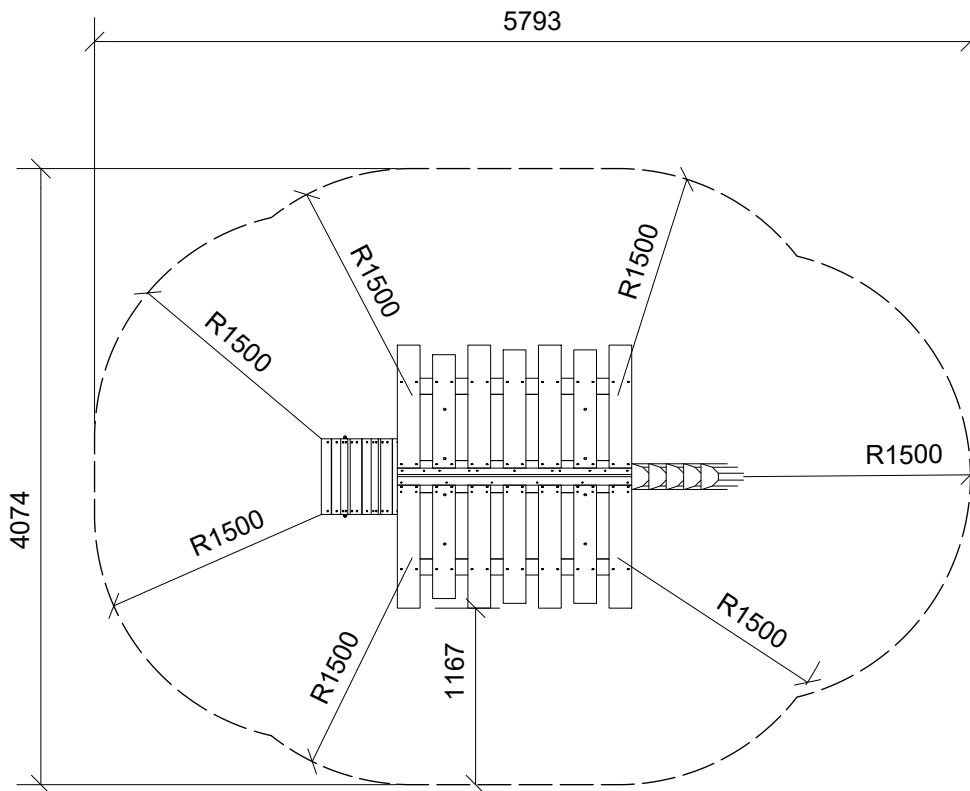
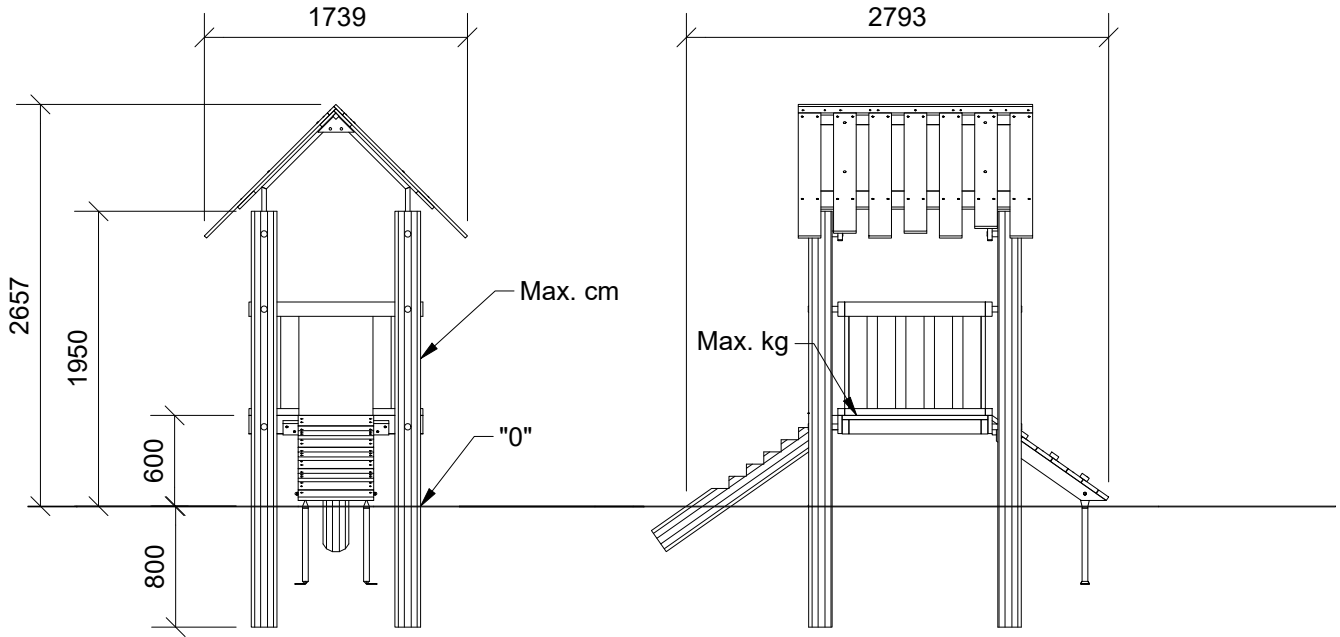


LE20060U  
LE20060

1/7



LE20060U  
LE20060



2



4,5h



19,1 m<sup>3</sup>



5,8 x 4,1 x 2,65 m



~546 kg



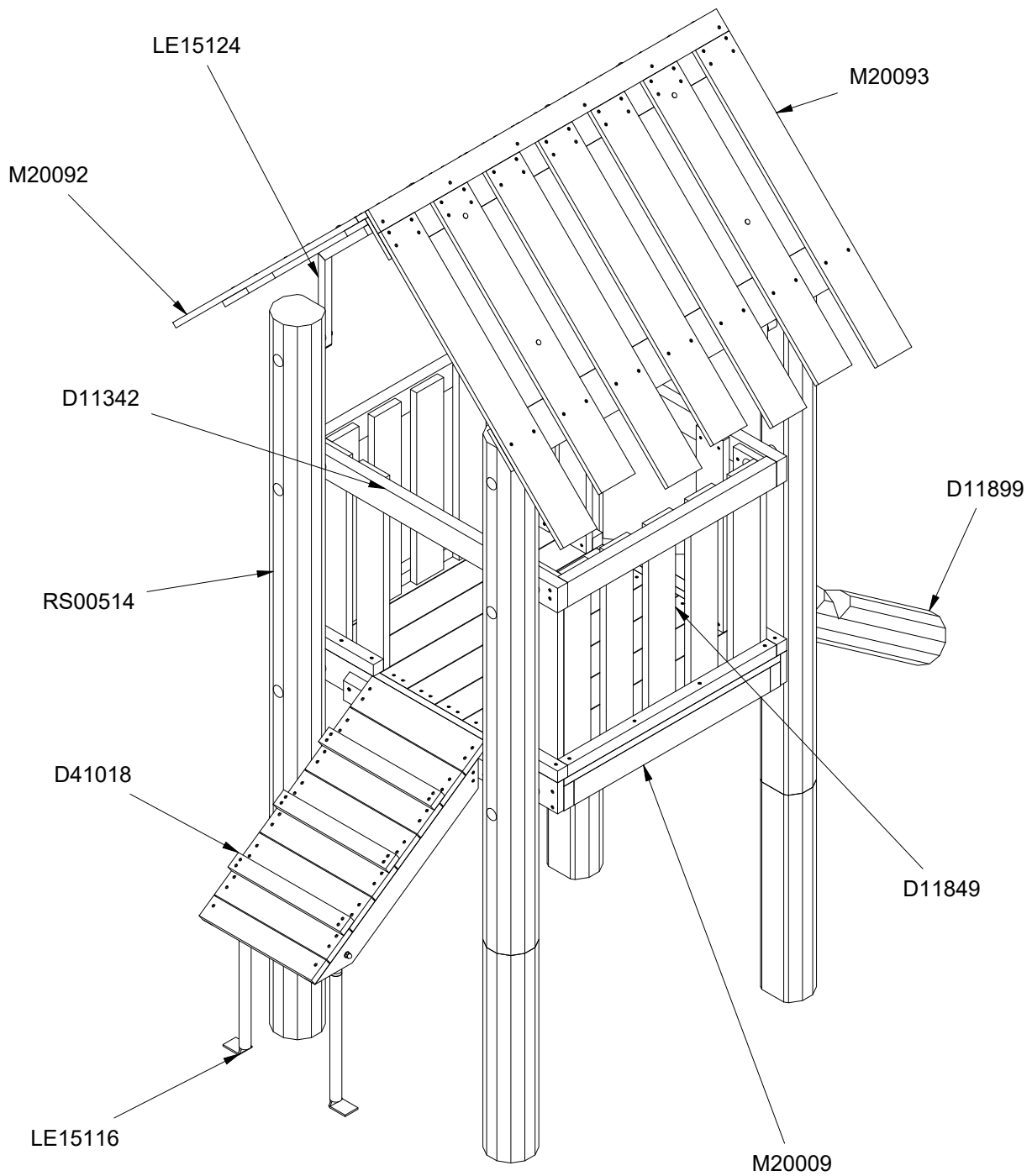
~0,15 m<sup>3</sup>



Ø16-18x2750



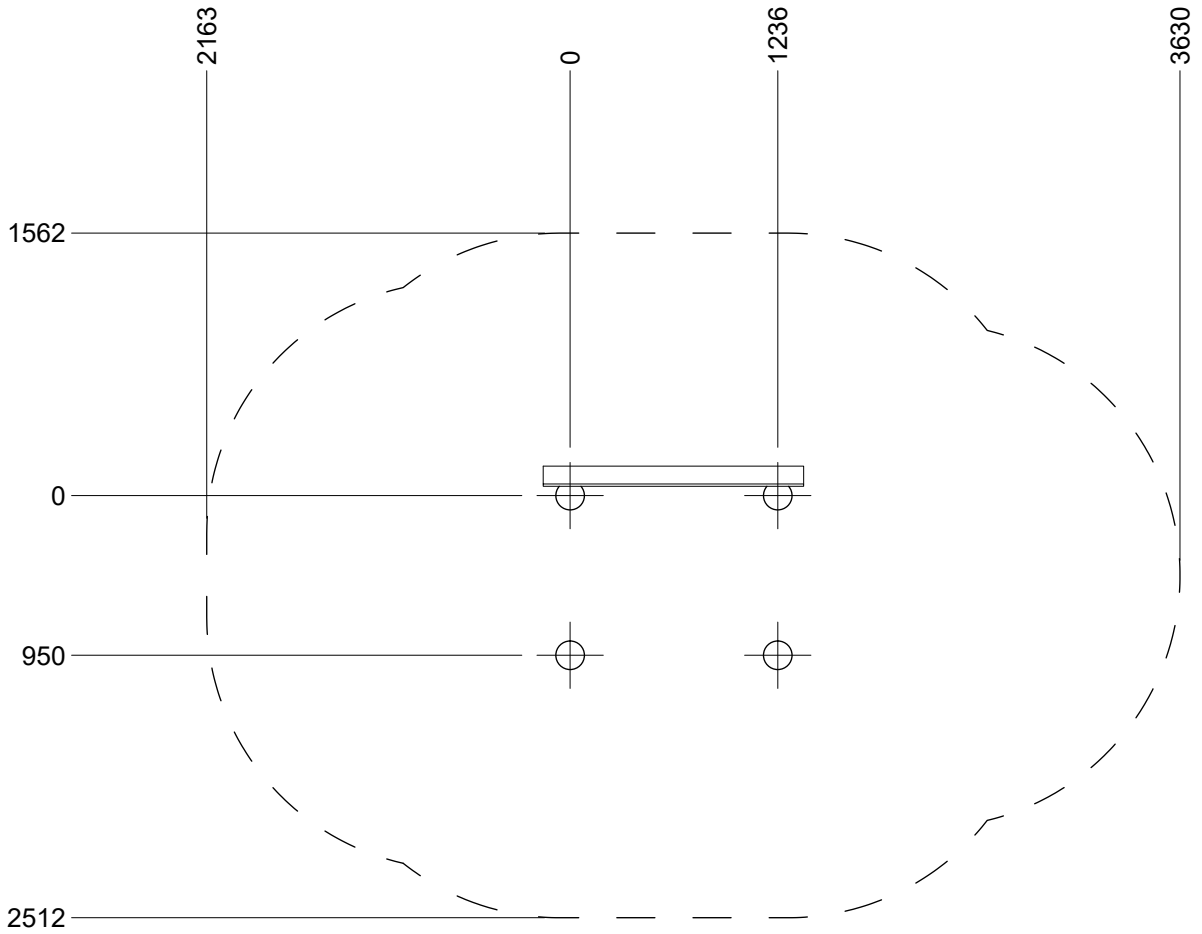
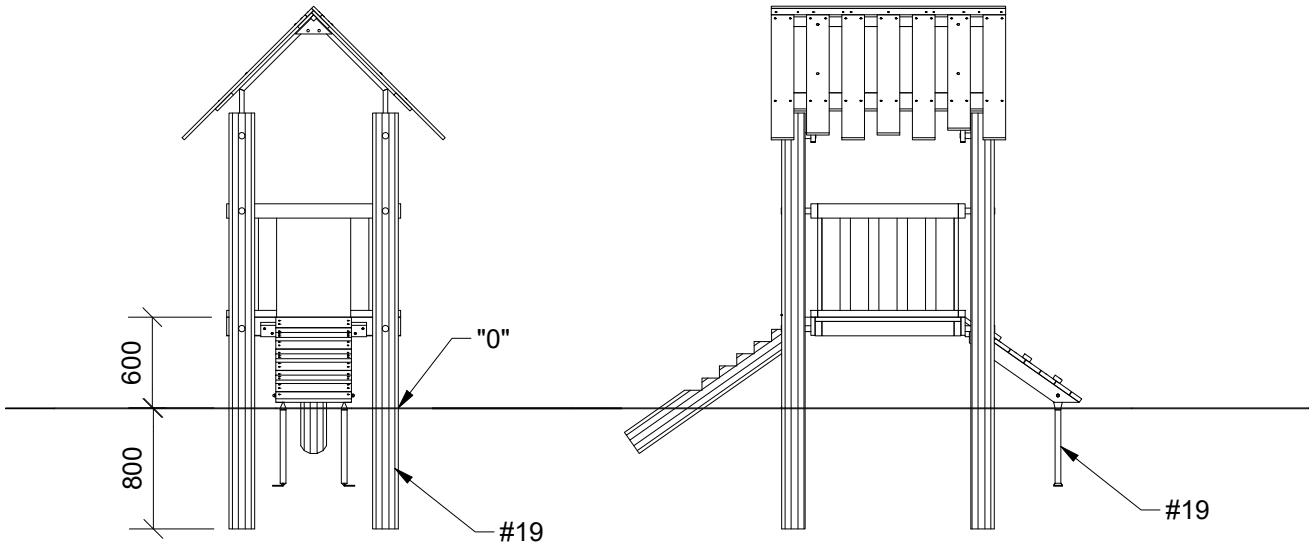
76 kg

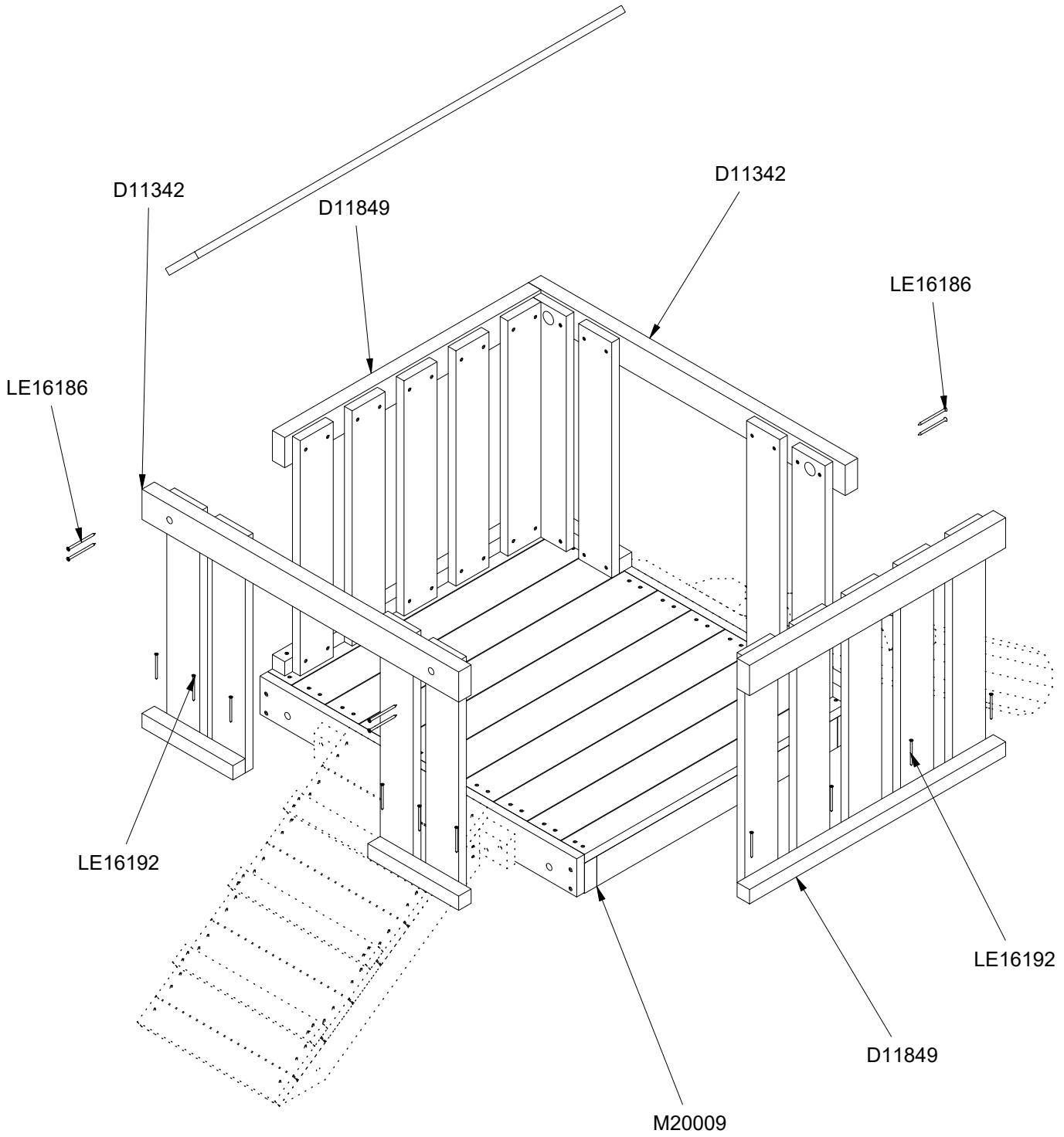


Parts List

QTY	PART NO	DESCRIP.
2	D11342	1150x750mm, 490mm Gap
2	D11849	930x750mm, Closed 68mm air
1	D11899	Robinia stairs Fh:600
1	D41018	Ramp 35°
2	LE15116	L: 600mm
2	LE15124	Steel rafters
1	M20009	1150x1020mm
1	M20092	Roof side
1	M20093	Roof side
4	RS00514	Ø160-180

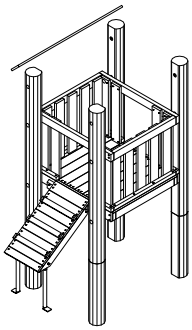
LE20060U  
LE20060



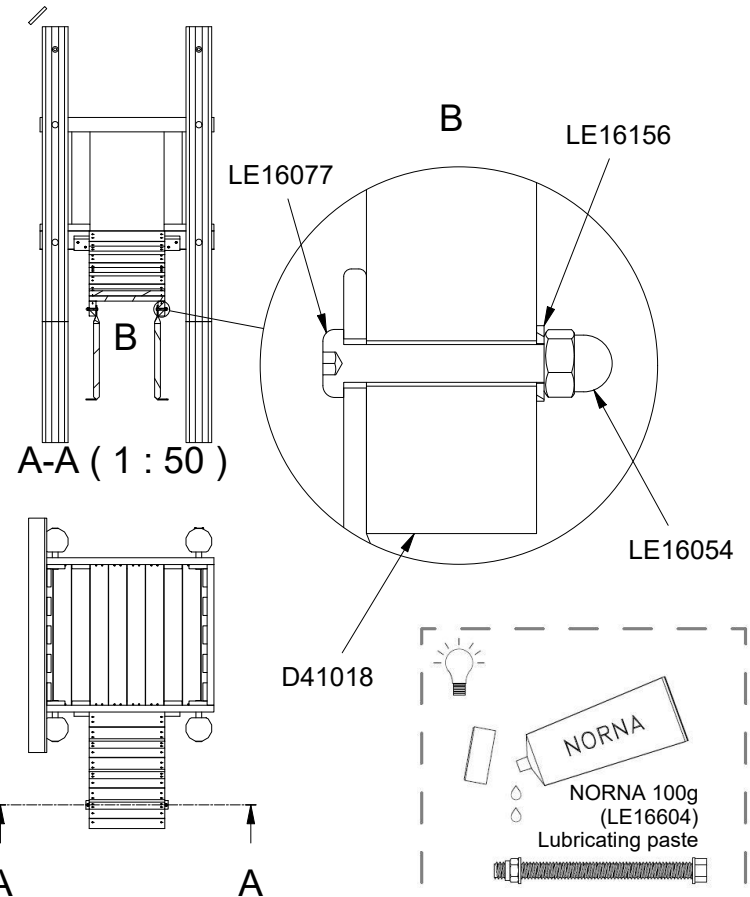
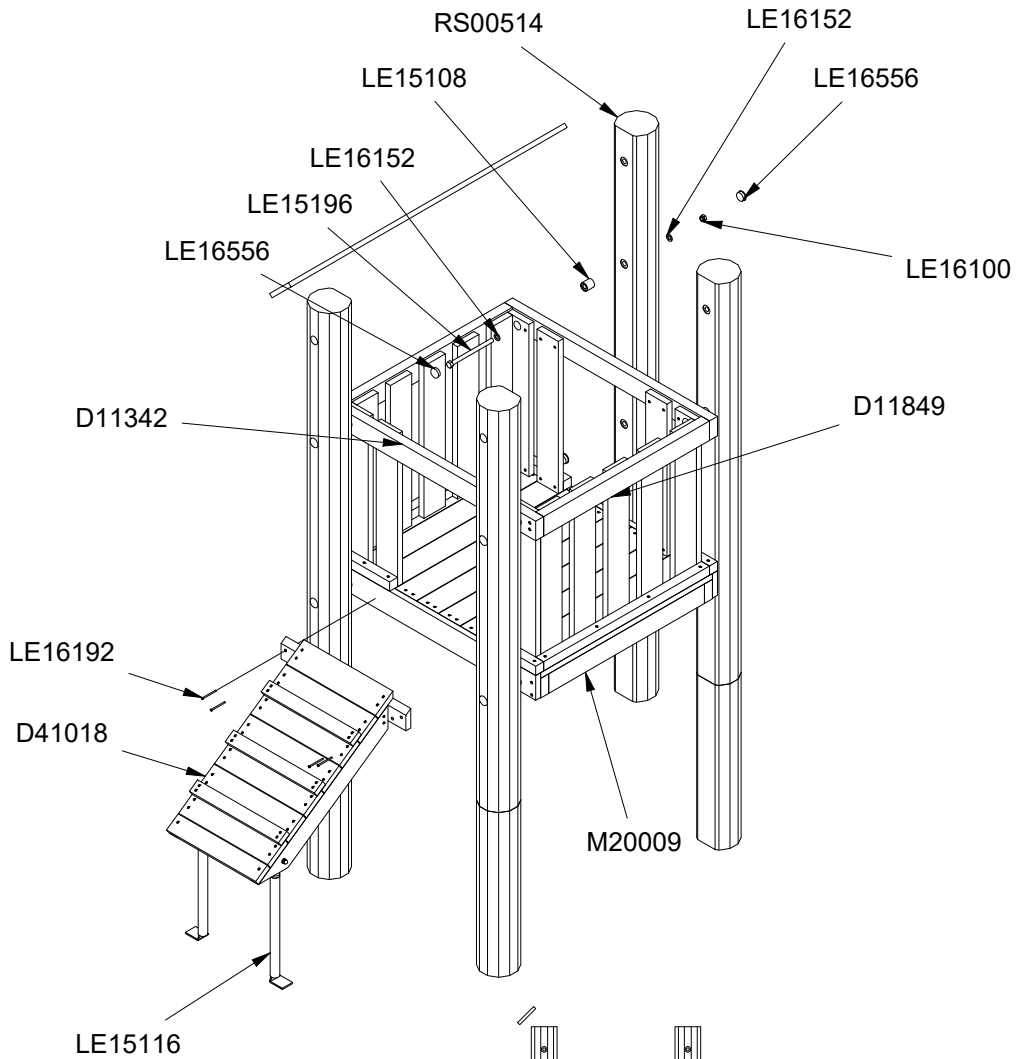


Parts List

QTY	PART NO	DESCRIP.
2	D11342	1150x750mm, 490mm Gap
2	D11849	930x750mm, Closed 68mm air
8	LE16186	6x100 Ch
19	LE16192	5x80mm
1	M20009	1150x1020mm

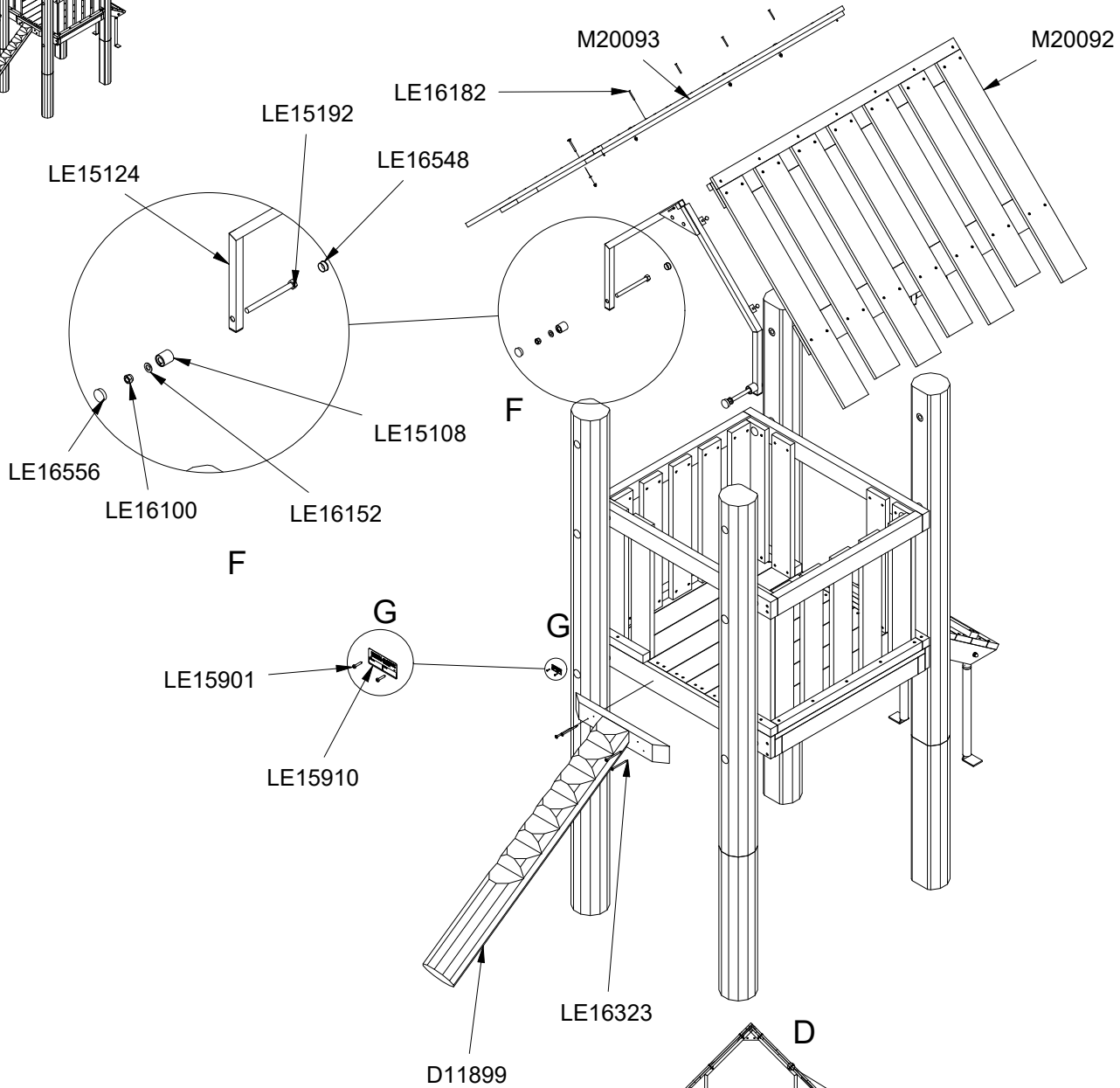
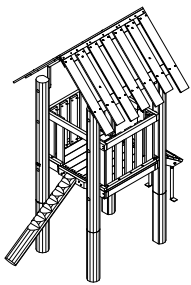


# LE20060U LE20060



Parts List		
QTY	PART NO	DESCRIP.
2	D11342	1150x750mm, 490mm Gap
2	D11849	930x750mm, Closed 68mm air
1	D41018	Ramp 35°
8	LE15108	Ø38x40mm
2	LE15116	L: 600mm
8	LE15196	M16x230 mm
2	LE16054	M10 cap nut
2	LE16077	Buttonhead 10x60mm
8	LE16100	M16 nut
16	LE16152	M16 - Ø30 mm
2	LE16156	M10-Ø20
4	LE16192	5x80mm
16	LE16556	Ø42/38mm
1	M20009	1150x1020mm
4	RS00514	Ø160-180
1	V10415	HSS Ø4mm L:119mm

# LE20060U LE20060



Parts List		
QTY	PART NO	DESCRIP.
1	D11899	Robinia stairs Fh:600
2	LE15124	Steel rafters
4	LE15192	M16x190 mm
2	LE15901	3x16, PH
1	LE15910	Name tag
8	LE16003	M6x60
8	LE16050	M6 DIN 986
4	LE16100	M16 nut
8	LE16150	M6
4	LE16152	M16 - Ø30 mm
11	LE16182	Ø5x50mm
4	LE16323	6x100 Dh
4	LE16548	Cap Ø28 hole
1	M20092	Roof side
1	M20093	Roof side
1	V10412	HSS Ø6x139mm
1	V10415	HSS Ø4mm L:119mm

