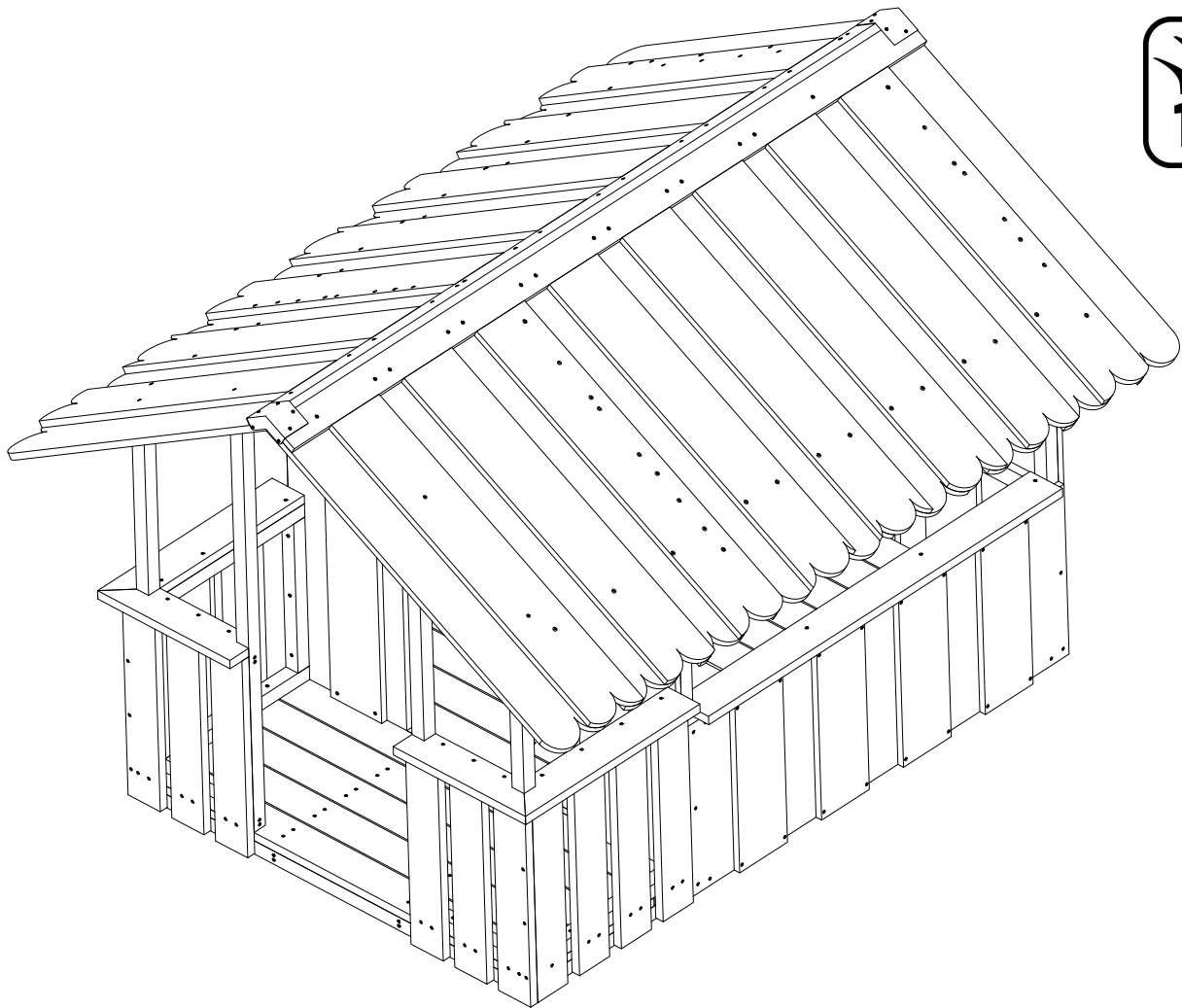
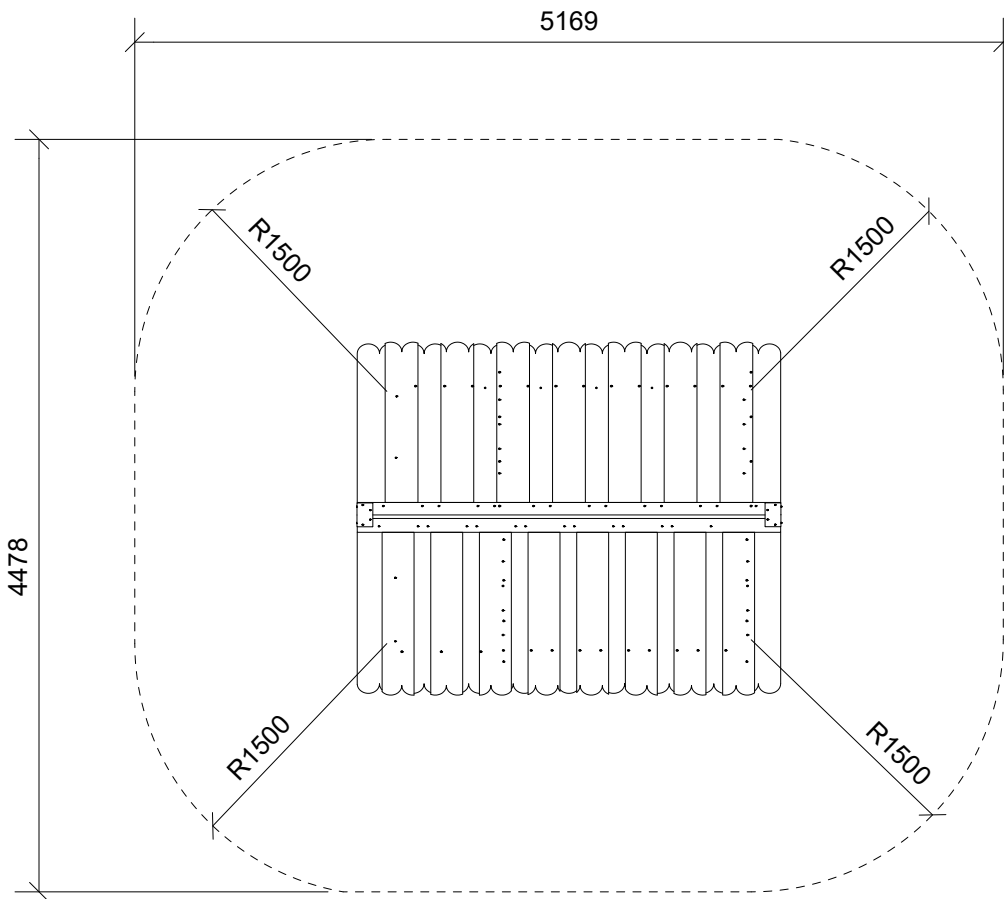
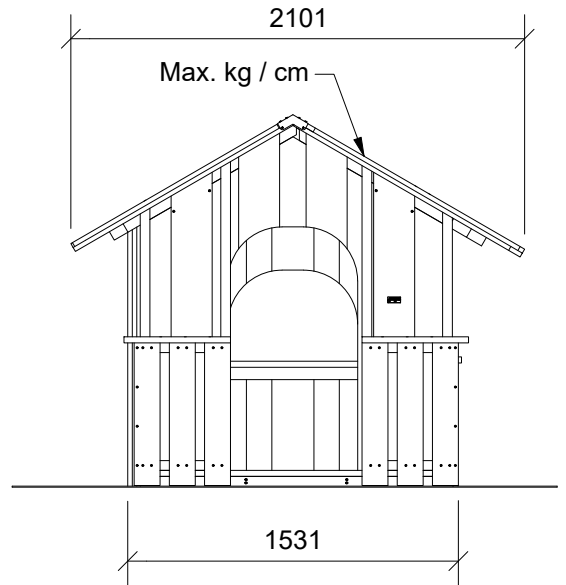
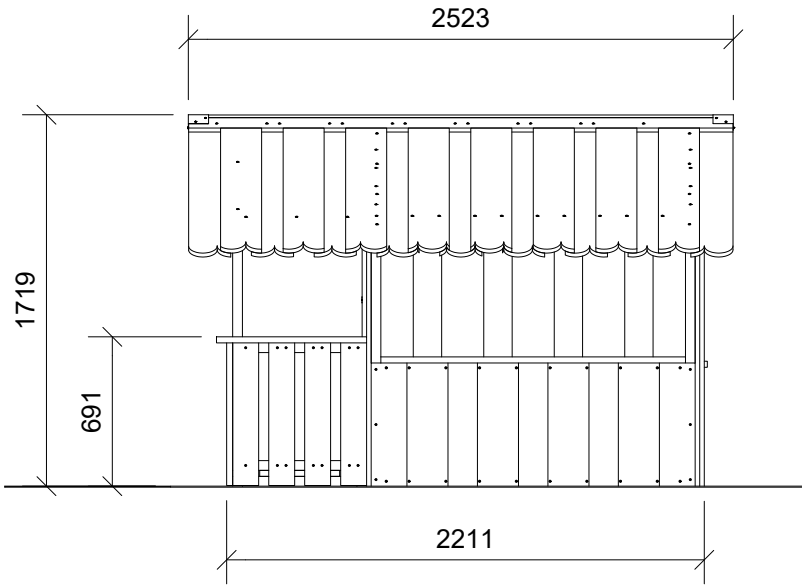


LE20011U  
LE20011

1/6



LE20011U  
LE20011



2



4h



5,2 x 4,8 x 1,7 m



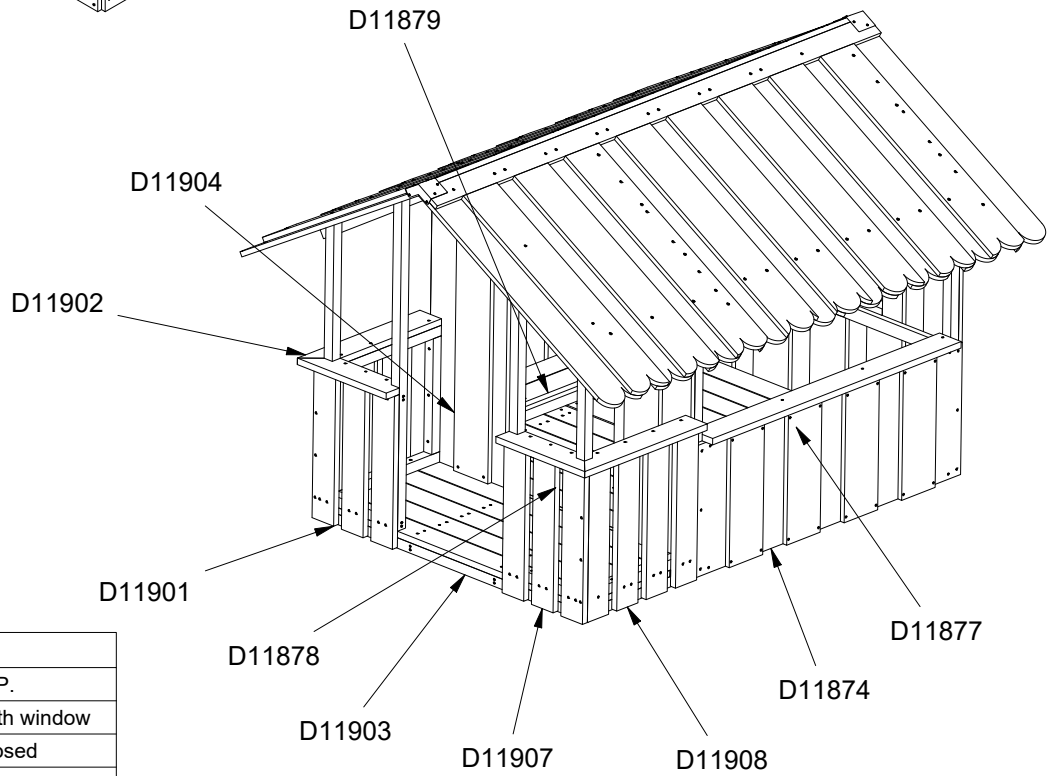
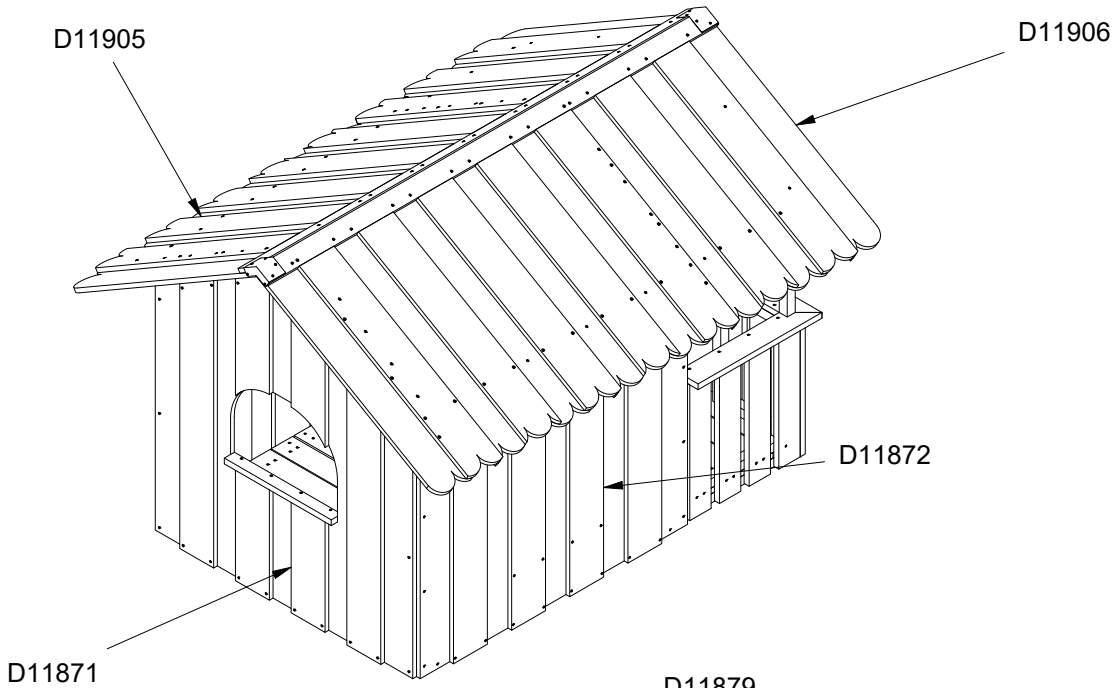
~352 kg



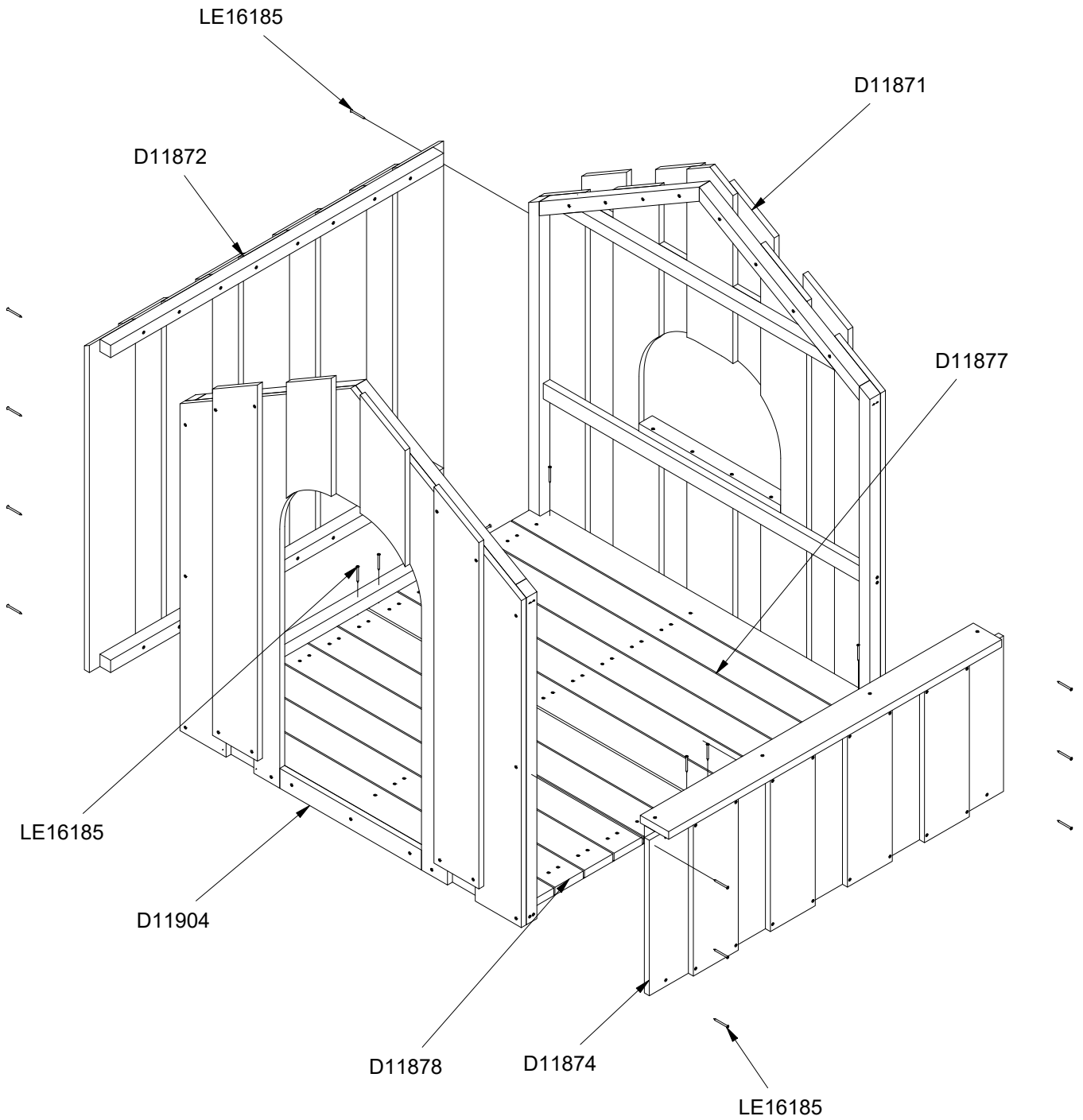
252x125x8,7 cm



61,5 kg

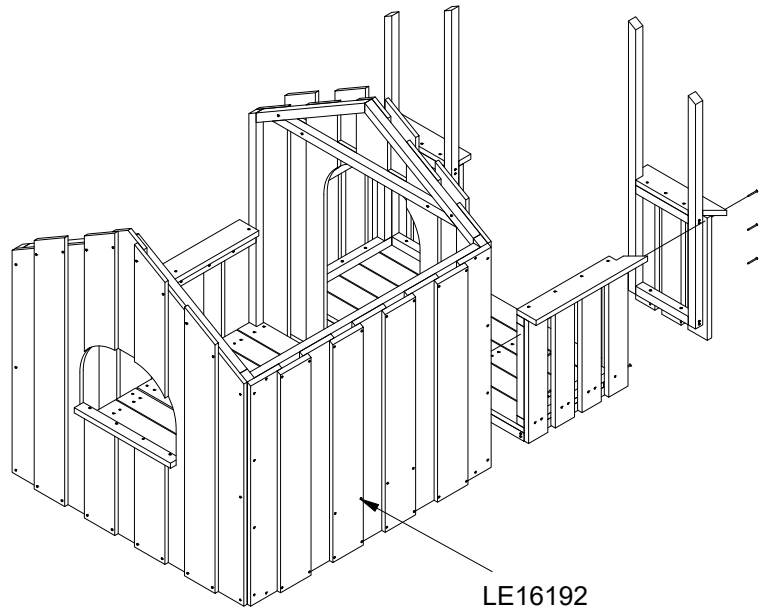
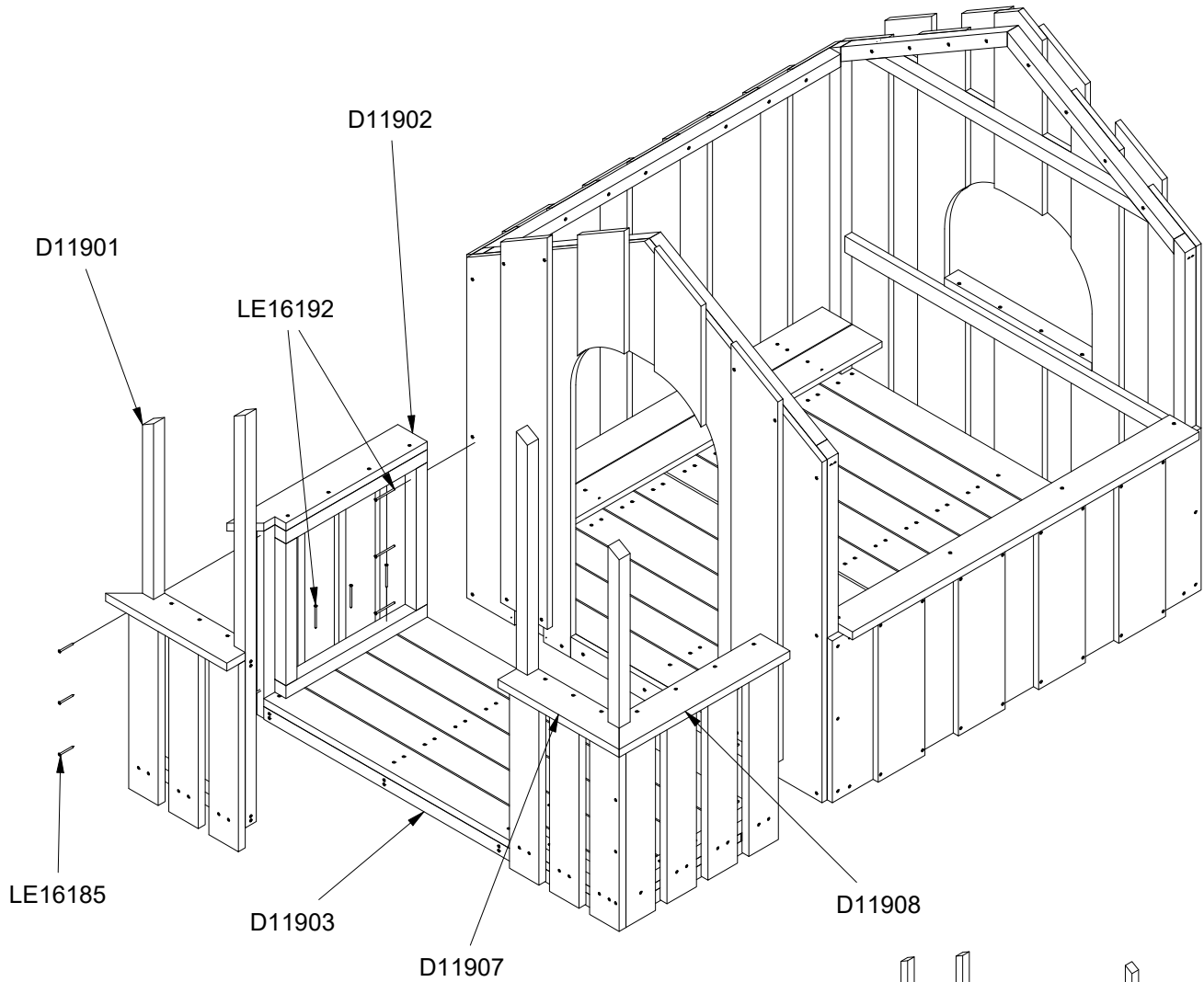


Parts List		
QTY	PART NO	DESCRIP.
1	D11871	1445x1668mm, With window
1	D11872	1500x1200mm, Closed
1	D11874	1500x591mm
1	D11877	1438x877mm, Floor
1	D11878	1438x727mm, Floor
1	D11879	1350x243x206
1	D11901	kneewall 30°
1	D11902	695x866mm, Side
1	D11903	1445x620mm, Floor
1	D11904	1445x1668mm, With door
1	D11905	2550x1239mm, Roof
1	D11906	2550x1188mm, Roof
1	D11907	kneewall 30°
1	D11908	695x866mm, Side

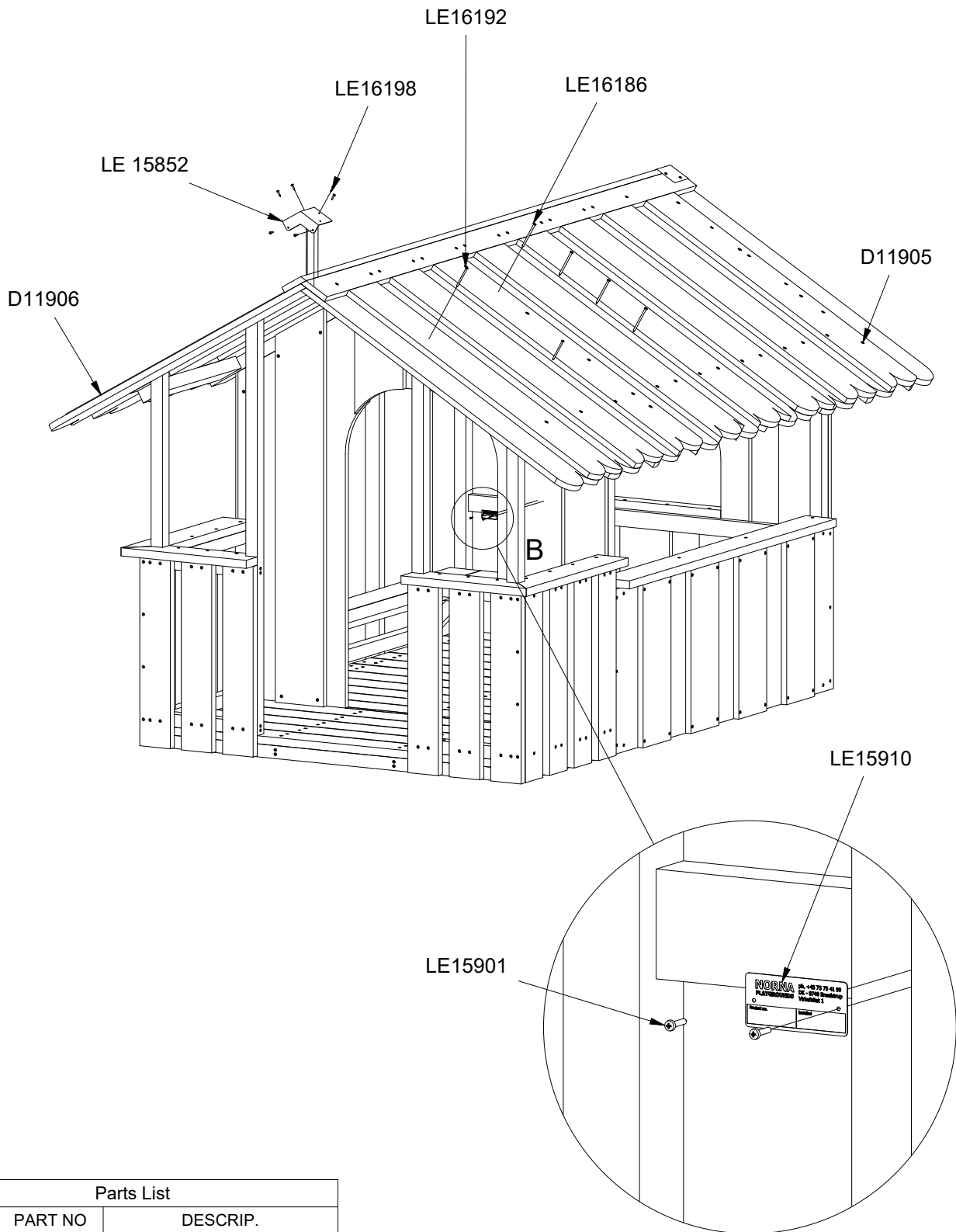


Parts List

QTY	PART NO	DESCRIP.
1	D11871	1445x1668mm, With window
1	D11872	1500x1200mm, Closed
1	D11874	1500x591mm
1	D11877	1438x877mm, Floor
1	D11878	1438x727mm, Floor
1	D11904	1445x1668mm, With door
22	LE16185	Ø5x60 mm Ch



Parts List		
QTY	PART NO	DESCRIP.
1	D11901	kneewall 30°
1	D11902	695x866mm, Side
1	D11903	1445x620mm, Floor
1	D11907	kneewall 30°
1	D11908	695x866mm, Side
8	LE16185	Ø5x60 mm Ch
16	LE16192	5x80mm



Parts List

QTY	PART NO	DESCRIP.
1	D11905	2550x1239mm, Roof
1	D11906	2550x1188mm, Roof
2	LE 15852	Bracket
2	LE15901	3x16, PH
1	LE15910	Name tag
16	LE16186	6x100 Ch
4	LE16192	5x80mm
12	LE16198	4x20mm PH

B (1 : 3)